

TRESS

3676FE

SIX LIGHT LINEAR

Tress approaches style from a different angle. The off-white textured fabric shade is bias-cut and framed in overlapping, hammered metal rods of Champagne Gold or Forged Iron. This simple structure translates into a sophisticated trapezoidal prism. Tress uses this natural look to add an organic feel to transitional decor.

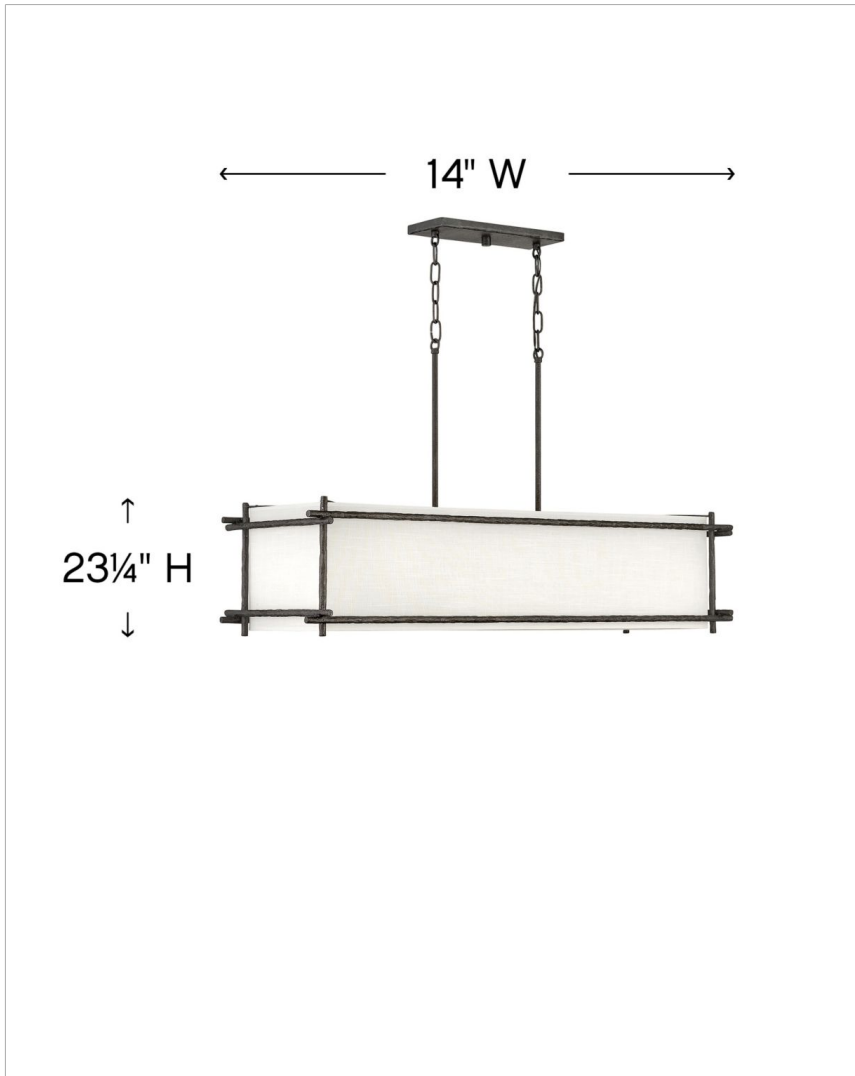
DETAILS	
FINISH:	Forged Iron
MATERIAL:	Steel
SHADE:	Off-White Textured
SLOPE DEGREE:	90
DIMMABLE:	YES, WITH DIMMABLE LAMP (NOT INCLUDED)

DIMENSIONS	
WIDTH:	42"
HEIGHT:	23.3"
DEPTH:	14
WEIGHT:	10.3lb

LIGHT SOURCE	
LIGHT SOURCE:	Socketed
WATTAGE:	6-5w Cand. LED, 60w Equiv.
VOLTAGE:	120v

MOUNTING	
CANOPY:	4.5"W X 12"L
LEAD WIRE:	1 X 72"

SHIPPING	
CARTON LENGTH:	45.5
CARTON WIDTH:	17
CARTON HEIGHT:	15
CARTON WEIGHT:	12.8



PRODUCT DETAILS:

- This item may be hung on a sloped ceiling
- Suitable for use in dry (indoor) locations as defined by NEC and CEC. Meets United States UL Underwriters Laboratories & CSA Canadian Standards Association Product Safety Standards.
- Merging the best of traditional and modern elements with a sophisticated and streamlined look