



HOVER FLUSH

900852FBN-LWD

HOVER FLUSH 52" LED FAN

DETAILS	
FAN FINISH:	Brushed Nickel
GLASS:	Etched Opal
BLADE COUNT:	3

DIMENSIONS	
WIDTH:	52"
HEIGHT:	10.5"

LIGHT SOURCE	
VOLTAGE:	120v

MOUNTING	
CANOPY:	7.75" Dia.
LEAD WIRE:	1 X 8"

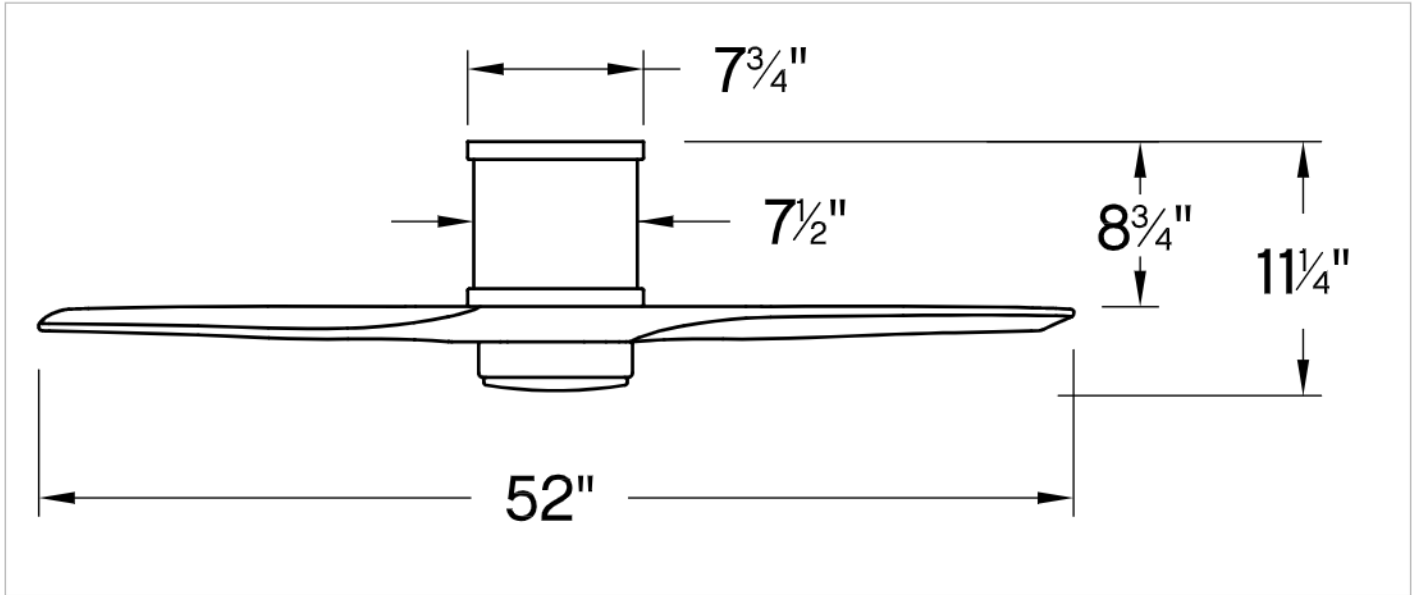
Clean and sleek, Hover Flush is a stunning modern upgrade for any project. Available in Brushed Nickel, Graphite, Matte White, Metallic Matte Bronze or Matte Black, Hover comes equipped with integrated LED lighting and DC motor technology to deliver excellent energy efficiency. Hover Flush is so versatile; it can be used for both indoor and outdoor spaces.

PRODUCT DETAILS:

- Suitable for use in wet (interior direct splash and outdoor direct rain or sprinkler) locations as defined by NEC and CEC. Meets United States UL Underwriters Laboratories.
- Fan Control included, HIRO Control - 6 Speed Reversing
- WiFi compatibility with included fan control
- LED components carry a 5-year limited warranty
- Motor carries a lifetime warranty
- Blades, controls, switches, capacitors and hardware carry a 1 year warranty
- Bold lines and a clean, minimalist style creates a modern look
- Single power source required

HOVER FLUSH 52" LED FAN

900852FBN-LWD



PERFORMANCE SPECIFICATIONS	STANDARD	
	HIGH SPEED	AVERAGE SPEED
Airflow	4957	3174
EnergyUse	20.5	13.1
EnergyCost	6	4
Efficiency	242	243
AMPS	0.31	0.18
RPMS	170	108

AVERAGE PERFORMANCE AND ENERGY INFORMATION

ENERGYGUIDE

Estimated Yearly Energy Cost

\$4

Cost Range of Similar Models (19" - 84")

\$3 | | | \$34

- Based on 12 cents per kWh and 6.4 hours use per day
- Your cost depends on rates and use
- Energy Use: 13.1 Watts

Airflow

3,174

Cubic Feet Per Minute

- The higher the airflow, the more air the fan will move
- Airflow Efficiency: 243 Cubic Feet Per Minute Per Watt

All estimates based on typical use, excluding lights ftc.gov/energy

Airflow Shown is a Weighted Average of High and Low Cubic Feet per Minute Based on Close to Ceiling