



## INDY

900956FBN-NWA

INDY 56" FAN

### DETAILS

FAN FINISH:	Brushed Nickel
BLADE COUNT:	3
SLOPE DEGREE:	20

### DIMENSIONS

WIDTH:	56"
HEIGHT:	13.3"

### LIGHT SOURCE

VOLTAGE:	120v
----------	------

### MOUNTING

CANOPY:	6" Dia.
LEAD WIRE:	1 X 76"

The raw, edgy style of Indy is the perfect complement for all modern industrial design-inspired rooms. Available in Brushed Nickel, Matte White or Metallic Matte Bronze finish options. Indy is so versatile; it can be used for both indoor and outdoor spaces. Blades are included with every fan.

### PRODUCT DETAILS:

- This item includes a 6" down rod. Other various lengths of down rods are available and sold separately to customize the installation height.
- Suitable for use in wet (interior direct splash and outdoor direct rain or sprinkler) locations as defined by NEC and CEC. Meets United States UL Underwriters Laboratories.
- This item may be hung on a sloped ceiling
- Fan Control included, Wall Control - 4 Speed Non-Reversing
- Motor carries a lifetime warranty
- Blades, controls, switches, capacitors and hardware carry a 1 year warranty
- Bold lines and a clean, minimalist style creates a modern look
- Accessory controls available that are compatible with your Wi-Fi for the ultimate Smart Home connectivity

# HINKLEY

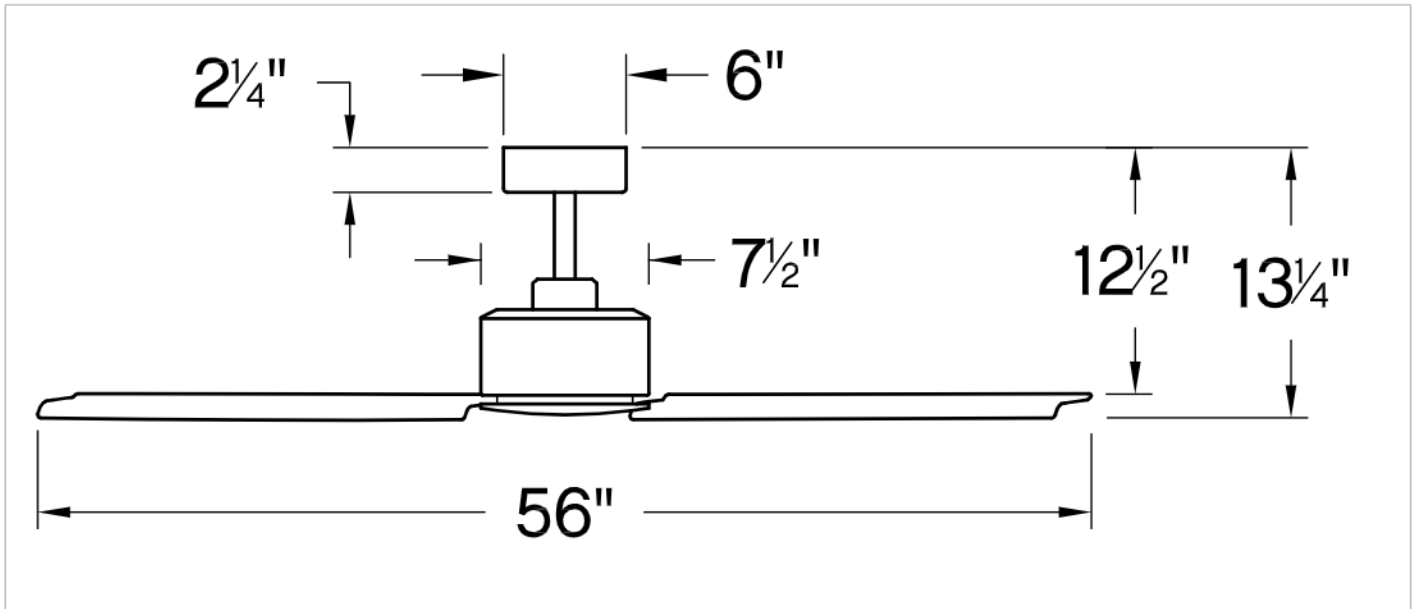
HINKLEY  
33000 Pin Oak Parkway  
Avon Lake, OH 44012

PHONE: (440) 653-5500  
Toll Free: 1 (800) 446-5539

[hinkley.com](http://hinkley.com)

# INDY 56" FAN

900956FBN-NWA



PERFORMANCE SPECIFICATIONS	STANDARD	
	HIGH SPEED	AVERAGE SPEED
Airflow	5306	3785
EnergyUse	57.6	36
EnergyCost	16	10
Efficiency	92	105
AMPS	0.48	0.34
RPMS	159	113

**AVERAGE PERFORMANCE AND ENERGY INFORMATION**

## ENERGYGUIDE

Estimated Yearly Energy Cost **\$10**

Airflow **3,785** Cubic Feet Per Minute

Cost Range of Similar Models (19" - 84") \$3 - \$34

- Based on 12 cents per kWh and 6.4 hours use per day
- Your cost depends on rates and use
- Energy Use: 36 Watts

All estimates based on typical use, excluding lights [ftc.gov/energy](http://ftc.gov/energy)

Airflow Shown is a Weighted Average of High and Low Cubic Feet per Minute Based on Downrod

# HINKLEY

HINKLEY  
33000 Pin Oak Parkway  
Avon Lake, OH 44012

PHONE: (440) 653-5500  
Toll Free: 1 (800) 446-5539

[hinkley.com](http://hinkley.com)