



CABANA

901836FAW-NWA

CABANA 36" FAN

DETAILS	
FAN FINISH:	Appliance White
BLADE COUNT:	5
SLOPE DEGREE:	35

DIMENSIONS	
WIDTH:	36"
HEIGHT:	12.5"

LIGHT SOURCE	
VOLTAGE:	120v

MOUNTING	
CANOPY:	6" Dia.
LEAD WIRE:	1 X 76"

Part of the Regency Series, the traditional Cabana is a seamless way to enhance the comfort level and enjoyment of any room. Available in Appliance White, Metallic Matte Bronze, Matte Black and Brushed Nickel finish options, it complements spaces of all styles. Cabana achieves powerful air movement and is so versatile it can be used both indoors and outdoors. Blades are included with every fan.

PRODUCT DETAILS:

- This item includes a 4.5" down rod. Other various lengths of down rods are available and sold separately to customize the installation height.
- Suitable for use in wet (interior direct splash and outdoor direct rain or sprinkler) locations as defined by NEC and CEC. Meets United States UL Underwriters Laboratories.
- This item may be hung on a sloped ceiling
- Pull chain manual reverse, accessory controls available
- Add a functional light kit to customize the look of the fan
- The Regency Series features a range of traditional ceiling fans designed to enhance a wide variety of spaces with ease.
- Fan mounts directly to canopy or with an included downrod for dual mount capability
- Motor carries a lifetime warranty

HINKLEY

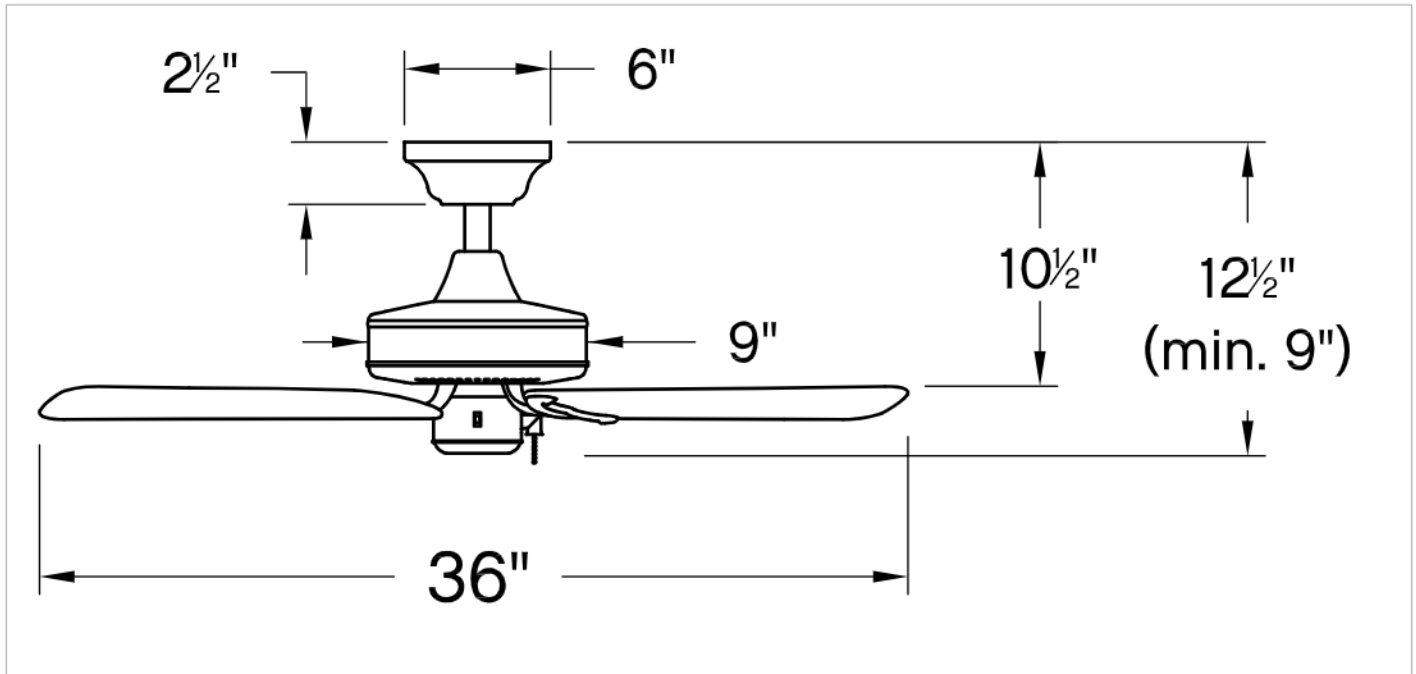
HINKLEY
33000 Pin Oak Parkway
Avon Lake, OH 44012

PHONE: (440) 653-5500
Toll Free: 1 (800) 446-5539

hinkley.com

CABANA 36" FAN

901836FAW-NWA



PERFORMANCE SPECIFICATIONS	STANDARD		DUAL MOUNT	
	HIGH SPEED	AVERAGE SPEED	HIGH SPEED	AVERAGE SPEED
Airflow	3101	2566	2947	2947
EnergyUse	37.6	26.8	37.7	26.4
EnergyCost	11	8	11	7
Efficiency	82	96	78	92
AMPS	0.32	0.26	0.32	0.26
RPMS	242	193	242	193

AVERAGE PERFORMANCE AND ENERGY INFORMATION

ENERGYGUIDE

Estimated Yearly Energy Cost

\$8

Cost Range of Similar Models (19" – 84")

\$3 | | | \$34

- Based on 12 cents per kWh and 6.4 hours use per day
- Your cost depends on rates and use
- Energy Use: 26.8 Watts

All estimates based on typical use, excluding lights

Airflow

2,566

Cubic Feet Per Minute

- The higher the airflow, the more air the fan will move
- Airflow Efficiency: 96 Cubic Feet Per Minute Per Watt

ftc.gov/energy

Airflow Shown is a Weighted Average of High and Low Cubic Feet per Minute Based on Downrod

HINKLEY

HINKLEY
33000 Pin Oak Parkway
Avon Lake, OH 44012

PHONE: (440) 653-5500
Toll Free: 1 (800) 446-5539

hinkley.com