



TIER

PRODUCT DETAILS:

- This item includes a 4.5" down rod. Other various lengths of down rods are available and sold separately to customize the installation height.
- Suitable for use in wet (interior direct splash and outdoor direct rain or sprinkler) locations as defined by NEC and CEC. Meets United States UL Underwriters Laboratories.
- Meets California Energy Commission 2013 & 2016 Title regulations/JA8
- This item may be hung on a sloped ceiling
- Fan Control included, HIRO Control - 3 Speed Non-Reversing
- LED components carry a 5-year limited warranty
- Motor carries a lifetime warranty
- Blades, controls, switches, capacitors and hardware carry a 1 year warranty

TIER

902054FAW-LWA

TIER 54" LED FAN

DETAILS	
FAN FINISH:	Appliance White
GLASS:	Etched Opal
BLADE COUNT:	5
SLOPE DEGREE:	25

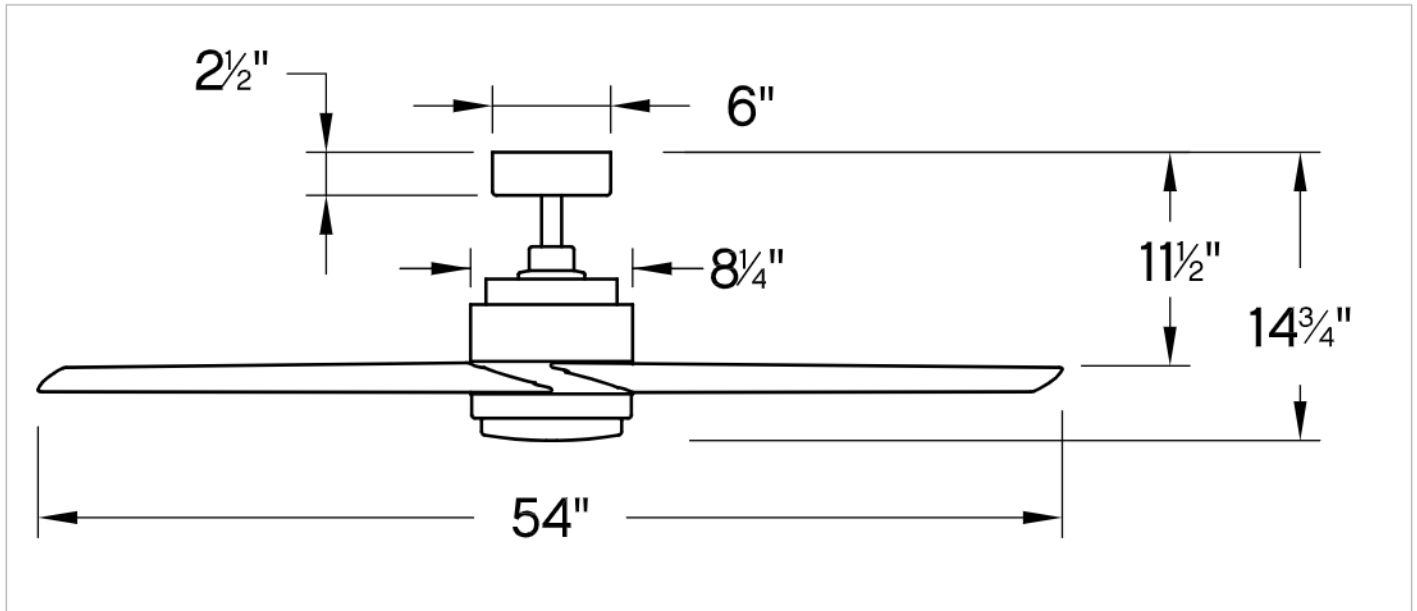
DIMENSIONS	
WIDTH:	54"
HEIGHT:	14.8"

LIGHT SOURCE	
VOLTAGE:	120v

MOUNTING	
CANOPY:	6" Dia.
LEAD WIRE:	1 X 76"

TIER 54" LED FAN

902054FAW-LWA



PERFORMANCE SPECIFICATIONS	STANDARD	
	HIGH SPEED	AVERAGE SPEED
Airflow	5664	3749
EnergyUse	62.8	40
EnergyCost	18	11
Efficiency	90	94
AMPS	0.52	0.39
RPMS	155	103

AVERAGE PERFORMANCE AND ENERGY INFORMATION

ENERGYGUIDE

Estimated Yearly Energy Cost

\$11

Cost Range of Similar Models (19" – 84")

\$3 | | \$34

- Based on 12 cents per kWh and 6.4 hours use per day
- Your cost depends on rates and use
- Energy Use: 40 Watts

Airflow

3,749

Cubic Feet Per Minute

- The higher the airflow, the more air the fan will move
- Airflow Efficiency: 94 Cubic Feet Per Minute Per Watt

All estimates based on typical use, excluding lights ftc.gov/energy

Airflow Shown is a Weighted Average of High and Low Cubic Feet per Minute Based on Downrod

HINKLEY

HINKLEY
33000 Pin Oak Parkway
Avon Lake, OH 44012

PHONE: (440) 653-5500
Toll Free: 1 (800) 446-5539

hinkley.com