

VAIL

902152FBN-LWD

VAIL 52" LED FAN

DETAILS	
FAN FINISH:	Brushed Nickel
GLASS:	Etched Opal
BLADE COUNT:	5
SLOPE DEGREE:	20

DIMENSIONS	
WIDTH:	52"
HEIGHT:	15.3"

LIGHT SOURCE	
VOLTAGE:	120v

MOUNTING	
CANOPY:	6" Dia.
LEAD WIRE:	1 X 76"



As a smaller companion to Vantage, Vail offers a transitional design with gently curved blades and an array of finish options, while its integrated LED lighting and DC motor technology deliver excellent energy efficiency. Vail is so versatile; it can be used for both indoor and outdoor spaces. Blades are included with every fan.

PRODUCT DETAILS:

- This item includes a 4.5" down rod. Other various lengths of down rods are available and sold separately to customize the installation height.
- Suitable for use in wet (interior direct splash and outdoor direct rain or sprinkler) locations as defined by NEC and CEC. Meets United States UL Underwriters Laboratories.
- Meets California Energy Commission 2013 & 2016 Title regulations/JA8
- This item may be hung on a sloped ceiling
- This item includes a light kit cover
- Fan Control included, HIRO Control - 6 Speed Reversing
- WiFi compatibility with included fan control
- LED components carry a 5-year limited warranty

HINKLEY

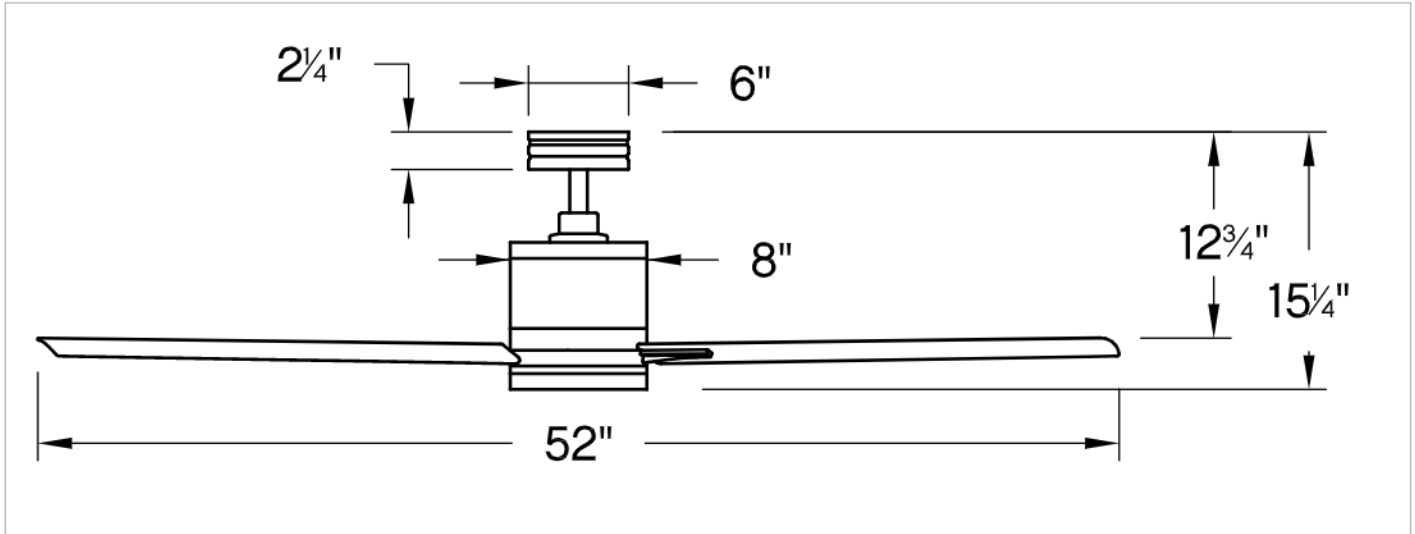
HINKLEY
33000 Pin Oak Parkway
Avon Lake, OH 44012

PHONE: (440) 653-5500
Toll Free: 1 (800) 446-5539

hinkley.com

VAIL 52" LED FAN

902152FBN-LWD



PERFORMANCE SPECIFICATIONS	STANDARD	
	HIGH SPEED	AVERAGE SPEED
Airflow	6973	4582
EnergyUse	28.3	17
EnergyCost	8	5
Efficiency	247	263
AMPS	0.4	0.23
RPMS	160	103

AVERAGE PERFORMANCE AND ENERGY INFORMATION

ENERGYGUIDE

Estimated Yearly Energy Cost **\$5**

Airflow **4,582**
Cubic Feet Per Minute

Cost Range of Similar Models (19" – 84")
\$3 | | | \$34

- Based on 12 cents per kWh and 6.4 hours use per day
- Your cost depends on rates and use
- Energy Use: 17 Watts

• The higher the airflow, the more air the fan will move
• Airflow Efficiency: 263 Cubic Feet Per Minute Per Watt

All estimates based on typical use, excluding lights ftc.gov/energy

Airflow Shown is a Weighted Average of High and Low Cubic Feet per Minute Based on Downrod

HINKLEY

HINKLEY
33000 Pin Oak Parkway
Avon Lake, OH 44012

PHONE: (440) 653-5500
Toll Free: 1 (800) 446-5539

hinkley.com