



# AFTON

903552FCW-LIA

AFTON 52" LED FAN

DETAILS	
FAN FINISH:	Chalk White
GLASS:	Etched Opal
BLADE COUNT:	5
SLOPE DEGREE:	20

DIMENSIONS	
WIDTH:	52"
HEIGHT:	14.8"

LIGHT SOURCE	
VOLTAGE:	120v

MOUNTING	
CANOPY:	6" Dia.
LEAD WIRE:	1 x 76"

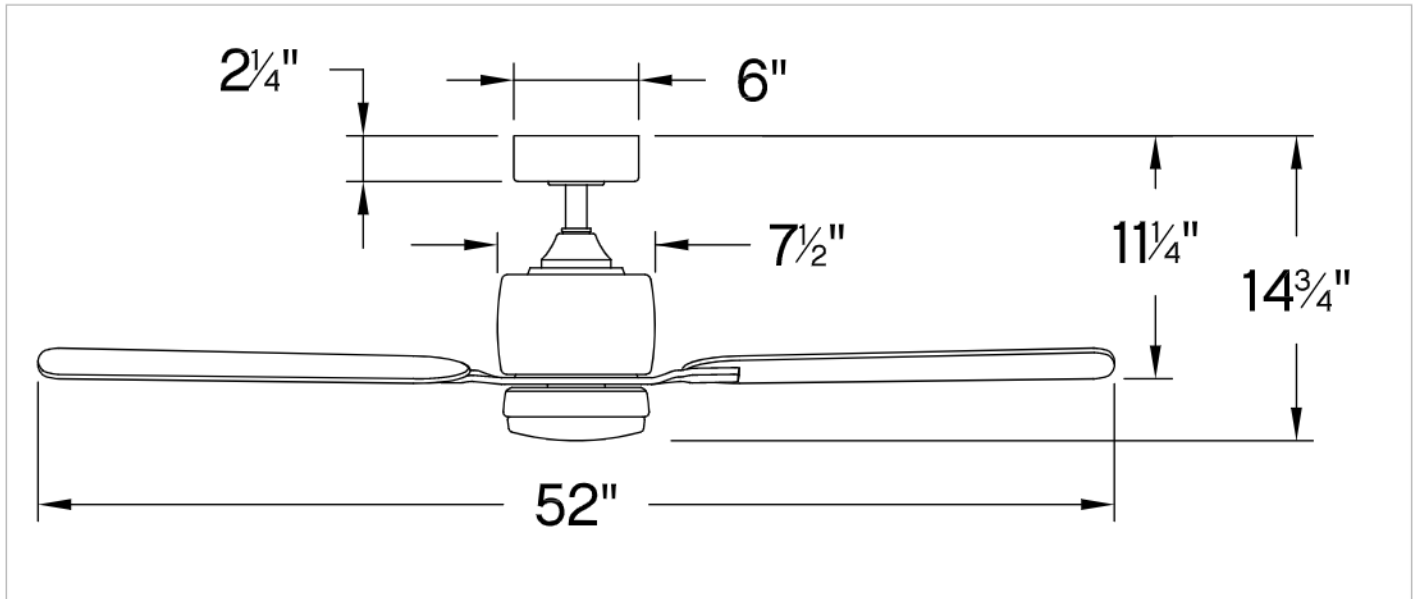
Clean and modern meets absolute practicality in Afton, making it the ultimate transitional ceiling fan. Afton is available in a robust lineup of finishes, including Chalk White with Chalk White blades, Satin Steel with Matte Black or Silver blades, Matte Black with Matte Black or Silver blades, Metallic Matte Bronze with Metallic Matte Bronze or Walnut blades. Afton is part of the Regency Collection.

**PRODUCT DETAILS:**

- This item includes a 4.5" down rod. Other various lengths of down rods are available and sold separately to customize the installation height.
- Suitable for use in dry (indoor) locations as defined by NEC and CEC. Meets United States UL Underwriters Laboratories & CSA Canadian Standards Association Product Safety Standards
- Meets California Energy Commission 2013 & 2016 Title regulations/JA8
- This item may be hung on a sloped ceiling
- The Regency Series features a range of traditional ceiling fans designed to enhance a wide variety of spaces with ease.
- LED components carry a 5-year limited warranty
- Motor carries a lifetime warranty
- Blades, controls, switches, capacitors and hardware carry a 1 year warranty

# AFTON 52" LED FAN

903552FCW-LIA



PERFORMANCE SPECIFICATIONS	STANDARD	
	HIGH SPEED	AVERAGE SPEED
Airflow	4614	3162
EnergyUse	55	34
EnergyCost	15	9
Efficiency	84	94
AMPS	0.47	0.33
RPMS	146	101

## AVERAGE PERFORMANCE AND ENERGY INFORMATION

### ENERGYGUIDE

**Estimated  
Yearly Energy Cost**

**\$9**

\$3 | | | \$34

Cost Range of Similar Models (19" – 84")

• Based on 12 cents per kWh and 6.4 hours use per day  
• Your cost depends on rates and use  
• Energy Use: 34 Watts

**Airflow**

**3,162**

Cubic Feet Per Minute

• The higher the airflow, the more air the fan will move  
• Airflow Efficiency: 93 Cubic Feet Per Minute Per Watt

All estimates based on typical use, excluding lights ftc.gov/energy

Airflow Shown is a Weighted Average of High and Low Cubic Feet per Minute Based on Downrod

# HINKLEY

HINKLEY  
33000 Pin Oak Parkway  
Avon Lake, OH 44012

PHONE: (440) 653-5500  
Toll Free: 1 (800) 446-5539

hinkley.com