

# INSTALLATION INSTRUCTION

## Drift

PD-58738/58756/58784/58738F/58756F/58784F



MODERN FORMS  
A WAC LIGHTING COMPANY

### WARNING

IMPORTANT: NEVER attempt any work without shutting off the electricity.

- Read all instructions before installing.
- System is intended for installation by a qualified electrician in accordance with the National Electrical Code and local regulations.
- Go to the main fuse box, or circuit breaker. Place the main power switch in the "OFF" position and unscrew the fuse(s) or switch "OFF" the circuit breaker switch(es) that control the power to the fixture or room that you are working on.
- Place the wall switch in the "OFF" position.

### CAUTION

- All parts must be used as indicated in these instructions. Do not substitute any parts, leave parts out, or use any parts that are worn out or broken. Failure to follow this instruction could invalidate the ETL/CETL listing of this fixture.
- CAUTION When handling the fixture, do not apply pressure to the LEDs. Hold the fixture by the base only.

### AVERTISSEMENT

IMPORTANT : Coupez l'électricité avant TOUTE manipulation.

- Lisez toutes les instructions avant d'installer.
- Système est destiné à être installé par un électricien qualifié en conformité avec le code national de l'électricité et les règlements locaux.
- Accédez au panneau central de disjoncteurs ou de fusibles de votre demeure et placez l'interrupteur principal en position d'arrêt (« OFF »).
- Placez l'interrupteur mural en position d'arrêt (« OFF »).

### MISE EN GARDE

- Toutes les pièces doivent être utilisées tel qu'il est indiqué dans ces instructions. Ne remplacez pas les pièces, n'en laissez pas de côté et ne les utilisez pas si elles sont usées ou brisées. Le non-respect de ces instructions peut annuler l'homologation ETL/CETL du luminaire.

MISE EN GARDE Ors de la manipulation de l'appareil, ne pas appliquer de pression à la LED, tenir l'appareil par la seule base.

### ADVERTENCIA

IMPORTANTE: NUNCA intente hacer trabajos sin desconectar el suministro eléctrico.

- Lea y comprenda todas las instrucciones e ilustraciones por completo antes de proceder con el ensamblaje e instalación de esta lámpara.
- Sistema está diseñado para ser instalado por un electricista calificado, de acuerdo con el código eléctrico nacional y las normas locales.
- Diríjase a la caja de fusibles o a la caja del interruptor de circuito principal en su hogar. Coloque el interruptor de alimentación principal en la posición "OFF" (APAGADO).
- Coloque el interruptor de la pared en la posición "OFF" (APAGADO).

### PRECAUCIÓN

- Todas las piezas deben usarse como lo indican estas instrucciones. No reemplace las piezas, noomita piezas durante la instalación ni utilice piezas gastadas o rotas. El incumplimiento de esta indicación podría invalidar la calificación ETL/CETL esta lámpara.

PRECAUCIÓN Al manipular el aparato, no aplique presión a los LED, mantenga el aparato en la base sólo.

## HARDWARE

A



Mounting Anchors  
Qty: 2pcs + 1 Extra  
14004511

B



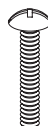
Wood Screws  
Qty: 2pcs + 1 Extra  
7605050351

C



Wire Connector  
Qty: 3pcs + 1 Extra  
63000122  
P3

D



Junction box screw  
Qty: 2 pcs + 1 Extra  
7606020251  
#8-32x1  
zinc plating

E



Mounting screw  
Qty: 1 Extra  
7601030121  
5/32-32x1/2  
Nickel plating

### Modern Forms

www.modernforms.com  
Phone (800) 526.2588 • Fax (800) 526.2585

### Headquarters/Eastern Distribution Center

44 Harbor Park Drive • Port Washington, NY 11050  
Phone (516) 515.5000 • Fax (516) 515.5050

### Western Distribution Center

1750 Archibald Ave • Ontario, CA 91761  
Phone (800) 526.2588 • Fax (800) 526.2585



# INSTALLATION INSTRUCTION

## Drift

PD-58738/58756/58784/58738F/58756F/58784F



**MODERN FORMS**  
A WAC LIGHTING COMPANY

### PREPARATION

1. Shut off the power at the circuit breaker and remove existing fixture, including the mounting hardware.

2. Carefully unpack your new fixture and lay out all the parts on a clear area. Be careful not to lose any small parts necessary for installation.

### MOUNTING THE FIXTURE (FIG.1)

3. Drill holes in the ceiling aligned with the key hole location in the mounting plate.

4. Insert the mounting anchors (A) into holes.

5. Secure the mounting plate to the junction box using junction box screws (D). The side of the mounting plate marked "GND" must face out.

6. Fasten the wood screws (B) into the mounting anchors (A) (installed in the ceiling) and tighten.

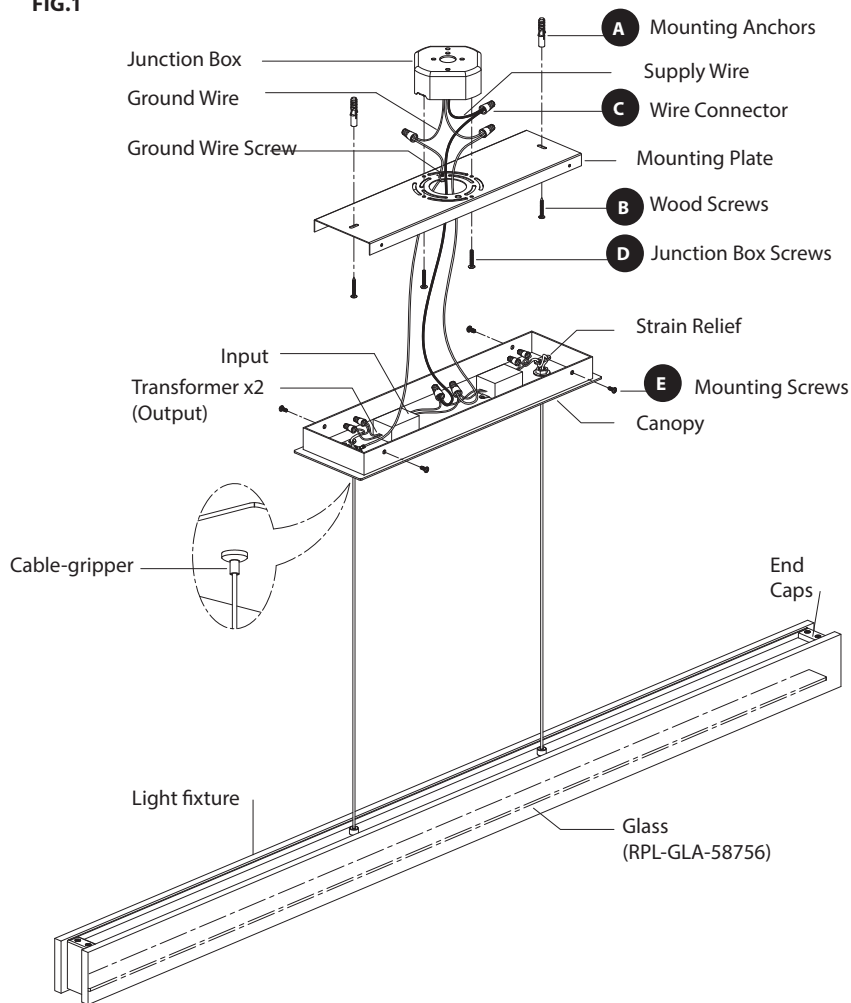
7. Slide the glass (RPL-GLA-58756) into the fixture.

8. On each end of fixture, angle-in the end caps and press in to secure.

9. Adjust the fixture wire length by pressing the cable-grippers on canopy and pulling the wire. Make sure both wires are the same length.

10. Re-set the strain relief near the wiring holes.

FIG.1



### CONNECTING THE WIRES (FIG.2)

11. Connect the transformer input wires with supply wires as shown in Fig. 2, making sure that all wire connectors are secured.

12. Cut the fixture wires and leaving at least 6". Connect with the transformer output wires red.

**Note: The fixture wires have two braided layers. Strip the two layers carefully!**

If your outlet box has a ground wire, connect it to the fixture's ground wire. Otherwise, connect the fixture's ground wire directly to the mounting plate (D1) using the green screw provided. Tuck wires carefully inside the junction box.

13. Place the canopy over the mounting plate, secure with mounting screws (E).

14. Check if fixture is level and adjust cables if necessary.

**\*Continue instruction for changing to decorative wood canopy**

Fig.2 Wiring



Fixture Wires	House Wires
Black or Smooth	Black (Hot)
White or Ribbed	White (Neutral)
Bare wire (Ground)	Green or Bare Copper (Ground)

Modern Forms  
www.modernforms.com  
Phone (800) 526.2588 • Fax (800) 526.2585

Headquarters/Eastern Distribution Center  
44 Harbor Park Drive • Port Washington, NY 11050  
Phone (516) 515.5000 • Fax (516) 515.5050

Western Distribution Center  
1750 Archibald Ave • Ontario, CA 91761  
Phone (800) 526.2588 • Fax (800) 526.2585



# INSTALLATION INSTRUCTION

## Drift

PD-58738/58756/58784/58738F/58756F/58784F



MODERN FORMS  
A WAC LIGHTING COMPANY

### CHANGING TO DECORATIVE WOOD CANOPY

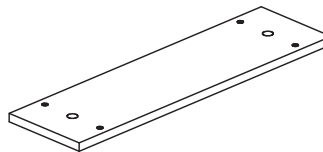
#### ACCESSORIES



Mounting Screw  
Qty: 4pcs + 1 Extra  
7601010101  
5/32-32x1/2  
zinc plating



Washer  
Qty: 4pcs + 1 Extra  
13005011  
zinc plating

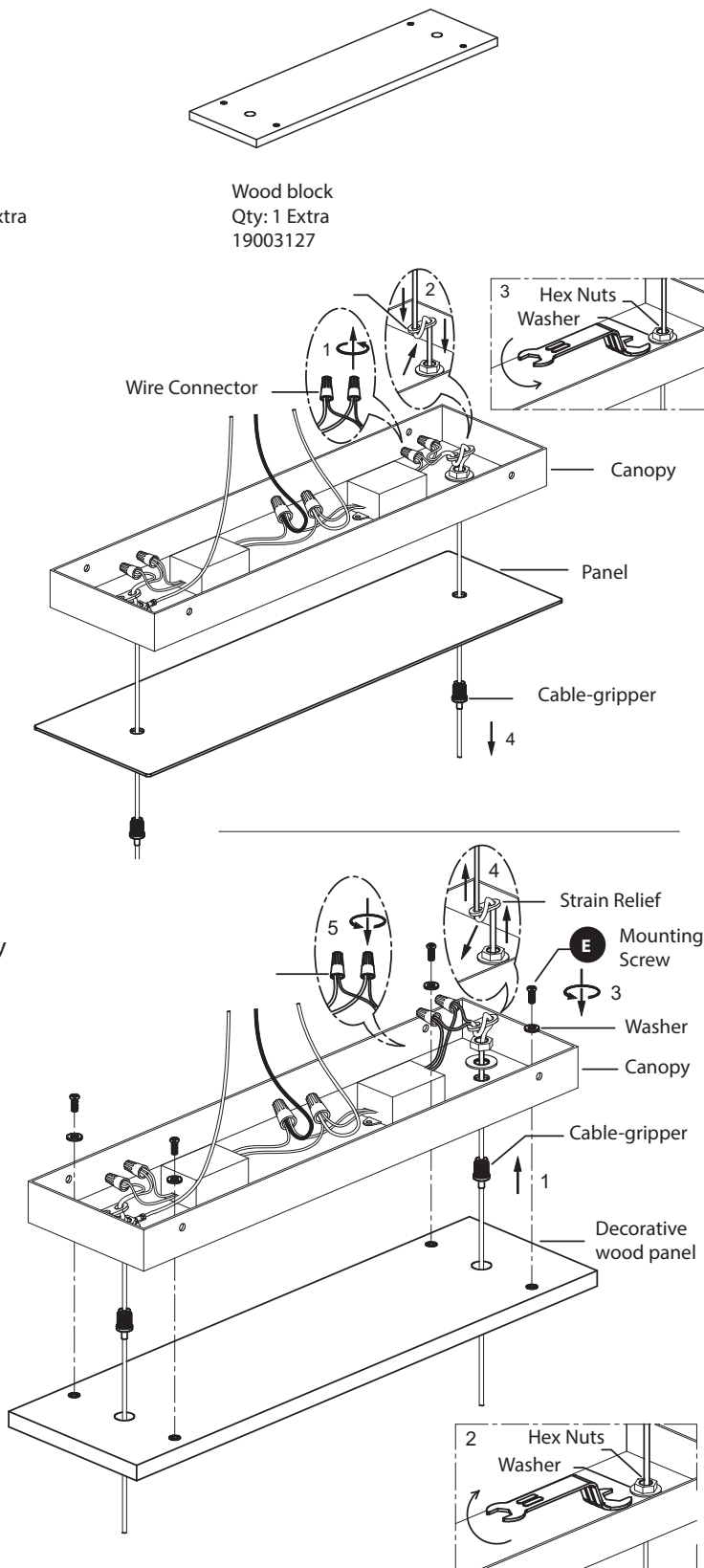


Wood block  
Qty: 1 Extra  
19003127

#### REMOVING THE FIXTURE AND METAL CANOPY

##### PREPARATION

1. Shut off the power at the circuit breaker and remove existing fixture, including the mounting hardware.
2. Remove the wire nut and separate the wire. (shown #1)
3. Remove the Strain Relief (shown #2) and use washer to unscrew hex nuts (shown #3)
4. Remove the cable and panel from the canopy assembly
5. Install the wire with the cable-gripper thru the decorative wood panel
6. Secure the cable-gripper from the decorative wood panel onto the canopy with washer and nut.
7. Install the mounting screw and washer to secure the canopy with the decorative wood panel.
8. Wire the cable thru the strain relief (shown #4)
9. Connect the transformer input wires with supply wires as shown in **Fig. 2**, making sure that all wire connectors are secured.
10. Place the canopy over the mounting plate, secure with mounting screws (E).



Modern Forms  
www.modernforms.com  
Phone (800) 526.2588 • Fax (800) 526.2585

Headquarters/Eastern Distribution Center  
44 Harbor Park Drive • Port Washington, NY 11050  
Phone (516) 515.5000 • Fax (516) 515.5050

Western Distribution Center  
1750 Archibald Ave • Ontario, CA 91761  
Phone (800) 526.2588 • Fax (800) 526.2585



# INSTALLATION INSTRUCTION

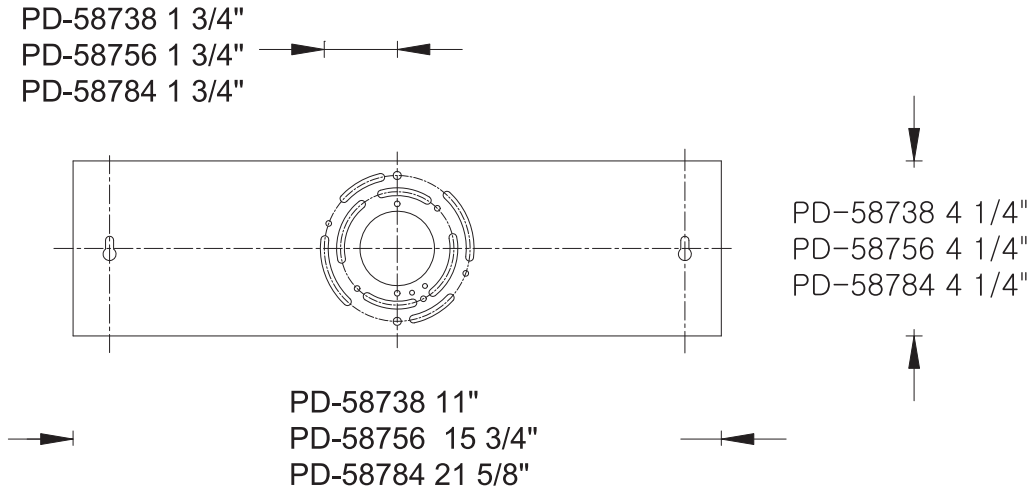
## Drift

PD-58738/58756/58784/58738F/58756F/58784F



**MODERN FORMS**  
A WAC LIGHTING COMPANY

### BACKPLATE DIMENSION



#### Modern Forms

[www.modernforms.com](http://www.modernforms.com)

Phone (800) 526.2588 • Fax (800) 526.2585

#### Headquarters/Eastern Distribution Center

44 Harbor Park Drive • Port Washington, NY 11050

Phone (516) 515.5000 • Fax (516) 515.5050

#### Western Distribution Center

1750 Archibald Ave • Ontario, CA 91761

Phone (800) 526.2588 • Fax (800) 526.2585



*Modern Forms retains the right to modify the design of our products at any time as part of the company's continuous improvement program.*