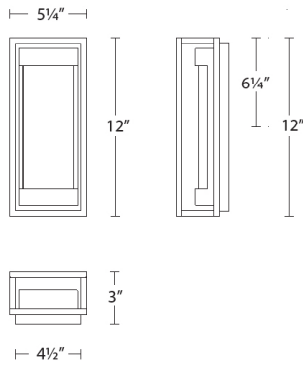


# ELYSE Wall Sconces - Outdoor

# MODERN FORMS

WS-W58012 / WS-W58017

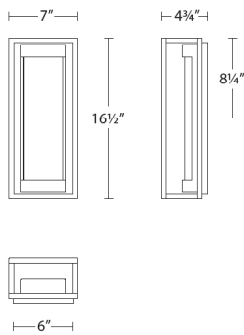


Fixture Type:

Catalog Number:

Project: \_\_\_\_\_

Location: \_\_\_\_\_



## PRODUCT DESCRIPTION

Like with ocean waves in the horizon, light twinkles in the undulating glass within this lantern. The minimalistic frame and discreetly-hidden LED technology for soft illumination are well-suited for entrances of upscale residences and commercial spaces.

## FEATURES

- Handcrafted, swirly patterned glass
- Universal Driver (120V-277V) concealed within the fixture
- Mounted vertically or horizontally
- Dimming: ELV, 0-10V, TRIAC
- Rated Life: 50,000 hours
- Color Temp: 3000K
- CRI: 90

## SPECIFICATIONS

**Construction:** Aluminum body with pressed glass

**Light Source:** High output LED

**Finish:** Black (BK)

**Standards:** ETL & cETL, Wet Location listed, Title 24 Compliant, IP65 Rated, ADA Compliant

## ORDER NUMBER

	Size	Wattage	Voltage	LED Lumens	Delivered Lumens	Finish
<b>WS-W58012</b>	12"	12W	120V-277V	326	189	<b>BK</b> Black
<b>WS-W58017</b>	17"	14W		380	233	

Example: **WS-W58012-BK**

modernforms.com  
Phone (800) 526.2588  
Fax (800) 526.2585

Headquarters/Eastern Distribution Center  
44 Harbor Park Drive  
Port Washington, NY 11050

Central Distribution Center  
1600 Distribution Ct  
Lithia Springs, GA 30122

Western Distribution Center  
1750 Archibald Avenue  
Ontario, CA 91760