

INSTALLATION INSTRUCTIONS

54 –LED Flush Light

FM-5415

MODERN FORMS

CAUTION: To prevent electrical shock, ensure electricity has been turned off at the circuit breaker before beginning.

- Read all instructions before installing.
- System is intended for installation by a licensed electrician in accordance with the National Electrical Code (NEC) and local regulations.
- When handling the fixture, do not apply pressure to the LEDs. Hold the fixture by the base only.
- Retain installation instructions for future maintenance reference.

WARNING: All parts must be used as indicated in these instructions. This product is designed for use only with the supplied parts and/or accessories designated for use by Modern Forms. Substitution of parts or accessories not designated for use with this product by Modern Forms could result in personal injury or property damage, and will void the warranty. Contact an authorized dealer or the manufacturer if any parts are damaged or missing.

MAINTENANCE NOTE: Coastal conditions may cause mineral and residue build-up on the fixture. We recommend that customers in coastal areas clean all external surfaces of the fixture once every two weeks with a wet cloth.

MISE EN GARDE: Pour éviter tout choc électrique, assurez-vous que le disjoncteur soit mis hors tension avant de commencer.

- Lisez toutes les instructions avant l'installation.
- Le système doit être installé par un électricien licencié conformément au code national de l'électricité (NEC), et également aux règlements locaux.
- Lors de la manipulation du luminaire, n'appuyez pas sur les LED. Tenez-le uniquement par la base.

ATTENTION: Toutes les pièces doivent être utilisées comme indiqué dans ces instructions. Ce produit est conçu pour être utilisé seulement avec les pièces et/ou accessoires fournis pour être utilisés avec les produits Modern Forms. Remplacer des pièces ou accessoires non conçus pour ce produit Modern Forms pourrait causer des dommages corporels ou matériels et pourrait également causer l'annulation de la garantie. Veuillez contacter un revendeur autorisé ou le fabricant si des pièces manquent ou sont endommagées.

NOTE D'ENTRETIEN: Les conditions côtières peut causer une accumulation de minéraux et de résidus sur le luminaire. Nous recommandons aux clients qui résident dans les zones côtières de nettoyer toutes les surfaces externes du luminaire une fois toutes les deux semaines avec un chiffon humide.

HARDWARE

A



Wire Connector
Qty: 3pcs+1 Extra

B



Wood Screw
Qty: 3pcs+1 Extra

C



Plastic Anchor
Qty: 3pcs+1 Extra

modernforms.com
Phone (800) 526.2588
Fax (800) 526.2585

Headquarters/Eastern Distribution Center
44 Harbor Park Drive
Port Washington, NY 11050

Central Distribution Center
1600 Distribution Ct
Lithia Springs, GA 30122

Western Distribution Center
1750 Archibald Avenue
Ontario, CA 91760



INSTALLATION INSTRUCTIONS
54 –LED Flush Light
 FM-5415

MODERN FORMS

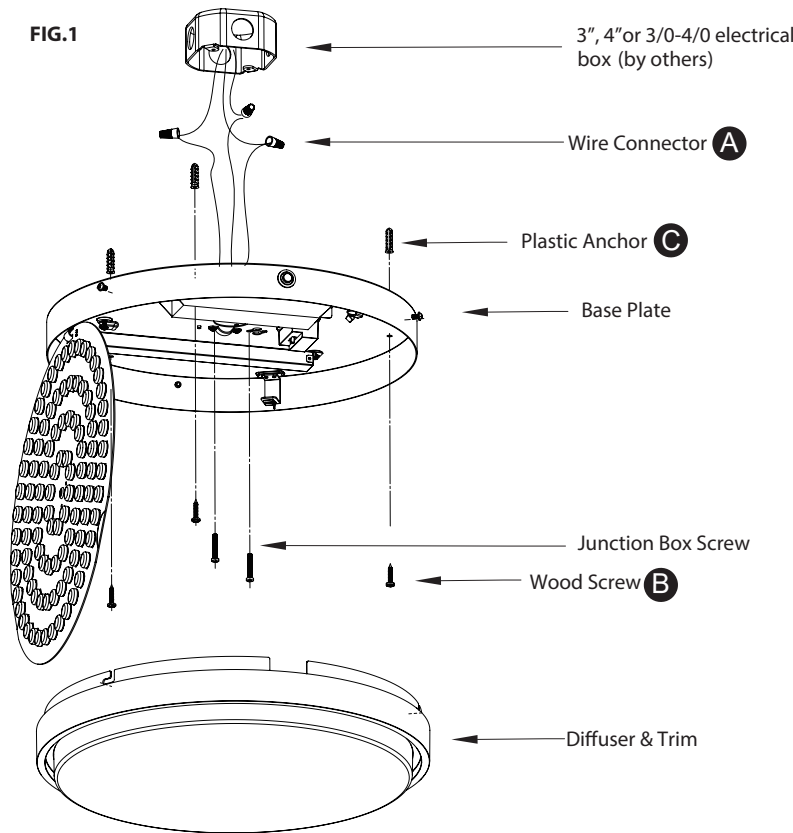


FIG.2 Wiring

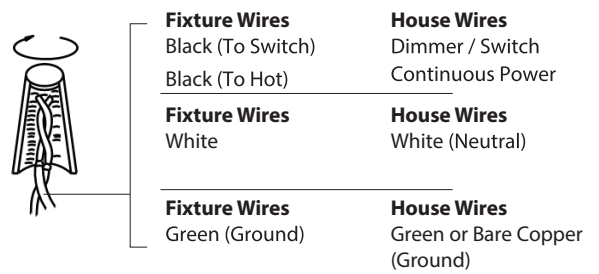


FIG.3

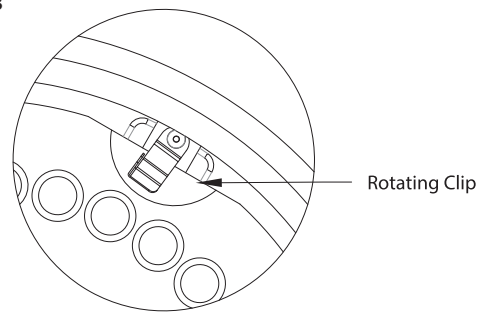
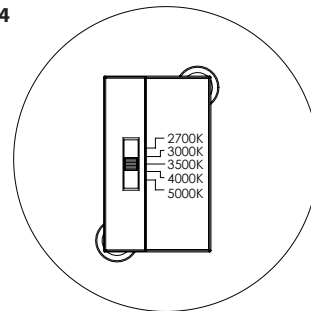


FIG.4



PREPARATION

1. Shut off the power at the circuit breaker and remove existing fixture, including the mounting hardware.
2. Carefully unpack your new fixture and lay out all the parts on a clear area. Be careful not to lose any small parts

MOUNTING & WIRING THE FIXTURE

3. Remove the diffuser and trim from the base plate by loosening the side screws and twisting the trim counter-clockwise.
4. On the base plate, rotate the 2 tension clips and swing the LED Board downward to reveal the rest of the electronics (See FIG. 3).
5. Secure the base plate to the junction box using the junction box screws provided (See FIG. 1).
6. To guarantee a secure installation, fasten additional screws with mounting anchors at screw hole locations to mounting surface.

Pull input wires through the wiring hole and connect fixture wires to house wires (See FIG. 2).

NOTE: For Emergency Battery Backup (EM) versions, please connect black wire labeled "To Switch" to your dimmer or on/off switch. Connect "To Hot (Continuous Main Power)" directly to your building's continuous input wire.

7. For the non-EM fixtures, there will be single black input wire.
8. Select the desired Color Temperature by setting the sliding switch to the target CCT (See FIG. 4)
9. Swing the LED surface back to its original position and secure it with the tension clips.
10. Reattach the trim and diffuser to the rest of the fixture and tighten the side screws.
11. Turn power back on to finish installation.

modernforms.com
 Phone (800) 526.2588
 Fax (800) 526.2585

Headquarters/Eastern Distribution Center
 44 Harbor Park Drive
 Port Washington, NY 11050

Central Distribution Center
 1600 Distribution Ct
 Lithia Springs, GA 30122

Western Distribution Center
 1750 Archibald Avenue
 Ontario, CA 91760

