

TR28 Remote Control

SPECIFICATION and INSTRUCTION SHEET

DESCRIPTION: One Ceiling Fan and Light, 3 Speed, Reversing, Demo Remote Control

FAN MODEL USED: See Catalog or visit our website www.fanimation.com for more information



How to Wire and Operate Your TR28 Transmitter

NOTE: If fan or supply wires are different colors than indicated, have this unit installed by a qualified electrician.

⚠ WARNING

To avoid possible electrical shock, be sure electricity is turned off at the main fuse box before wiring.


NOTE: If you are not sure if the outlet box is grounded, contact a licensed electrician for advice, as it must be grounded for safe operation.

1. Setting the Code: The remote unit has 16 different code combinations. It may be necessary to test a couple frequency code settings to improve signal reception and/or eliminate interference from other remote control household items. Multiple fans should have different code settings to allow independent fan control. To set the code, perform these steps.

2. Transmitter: remove battery cover. Press firmly below arrow and slide battery cover off. Slide code switches to your choice of up or down position. Factory setting is all up. Do not use this position. With a small screwdriver or ball point pen slide firmly up or down (Figure 1a). Replace battery cover on the transmitter.

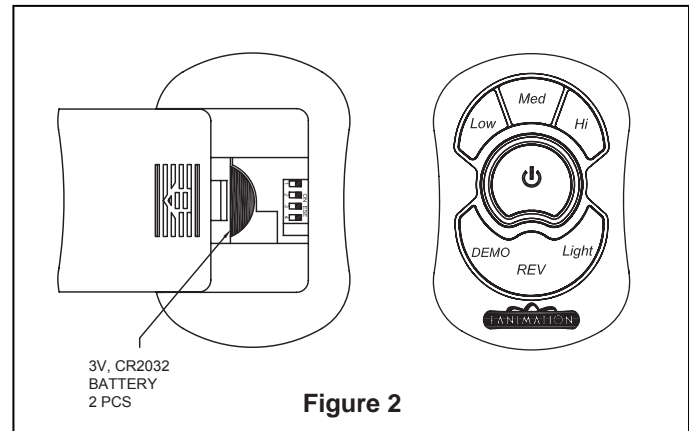
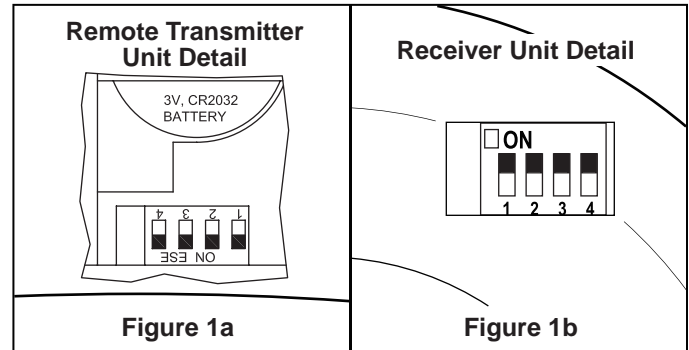
3. Receiver: Slide code switches to the same positions as set on your transmitter (Figure 1b).

4. Operating & Using Remote Transmitter (Figure2): Install two piece of 3 volt battery (If not using for long periods of time, remove battery to prevent damage to transmitter). Store the transmitter away from excess heat or humidity.

- HI Push Button – high fan speed
- MED Push Button – medium fan speed
- LOW Push Button – low fan speed
-  Push Button – fan off
- REV Push Button – toggles between air upflow and air downflow
- *Demo Push Button – on/off auto demo mode
- Light Push Button – on/off f and brightness control for optional down light.

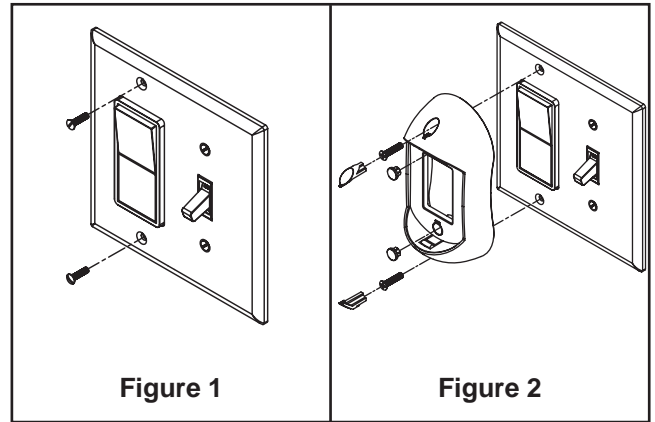
NOTE: 1. To control either light hold down key to increase or decrease brightness. Tap key quickly to turn light on or off. The light keys have auto resume and will stay at the same brightness as the last time it was turned off.

2. Demo mode is initiated by pressing the Demo button on the remote, lights will flash 3 times. Fan runs for 2½ minutes then shuts off for ½ minute. The 2 ½ / ½ minute run cycles continue until any other button is pressed on the remote control.



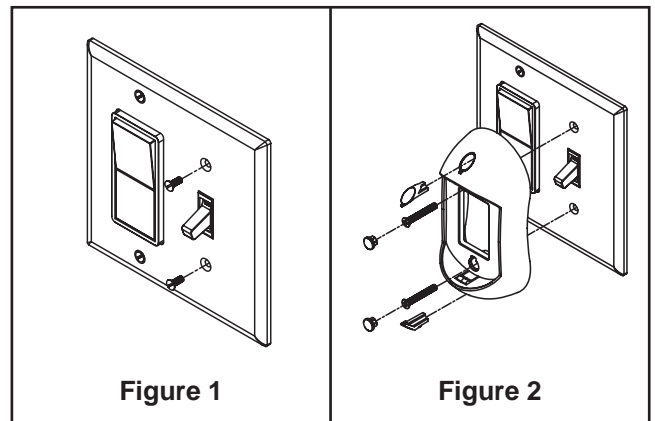
How to Fnstall Your Remote Control (Option #1)

1. Unthread two screws from the wall switch plate.
(Figure 1)
2. Install the control bracket with two #6-32x 3/4" screws.
And push the four plastic plug to cover the screw holes.
(Including in the control).(Figure 2)



How to Fnstall Your Remote Control (Option #2)

1. Unthread two screws from the wall switch plate.
(Figure 1)
2. Install the control bracket with two #6-32x 1" screws.
And push the four plastic plug to cover the screw holes.
(Including in the control).(Figure 2)



How to Fnstall Your Remote Control (Option #3)

1. Drill the two 1/4" holes in wall and use the M6 plastic anchor pushed into the holes. Install the control bracket with two #3- 1" self tap screws. Push the four plastic plug to cover the screw holes. (Including in the control).
(Figure 1)

