

PALECEK®

601 PARR BOULEVARD | RICHMOND | CA 94801

PENDANT INSTALLATION INSTRUCTIONS

Althea Chandelier

224879

PROFESSIONAL INSTALLATION REQUIRED

CAUTION: BEFORE INSTALLING FIXTURE, MAKE SURE THE POWER TO THE CIRCUIT IS TURNED OFF AT THE MAIN FUSE BOX / CIRCUIT BREAKER UTILITY BOX.

Important Safety Instructions:

- These instructions are provided for your safety. It is important that they are read carefully before use to ensure safe operation of the product.
- Installation by a licensed professional electrician required.
- THIS PRODUCT MUST BE INSTALLED IN ACCORDANCE WITH THE APPLICABLE INSTALLATION CODES BY A PERSON FAMILIAR WITH THE CONSTRUCTION AND OPERATION OF THE PRODUCT AND THE HAZARDS INVOLVED.
- The lighting fixture is meant for indoor use. It must be connected only to 3-wire, single-phase electrical supply systems (provided with Ground wire or equivalent protection system).
- For your safety, it is strongly recommended that two people install the lighting fixture.
- This fixture has been rated for up to three (03) **60 watt maximum Type A bulbs** (not included). To avoid the risk of fire, do not exceed the recommended lamp wattage.
- The lighting fixture is meant for indoor use, DRY LOCATIONS ONLY.
- **Save these instructions.**

WARNING:

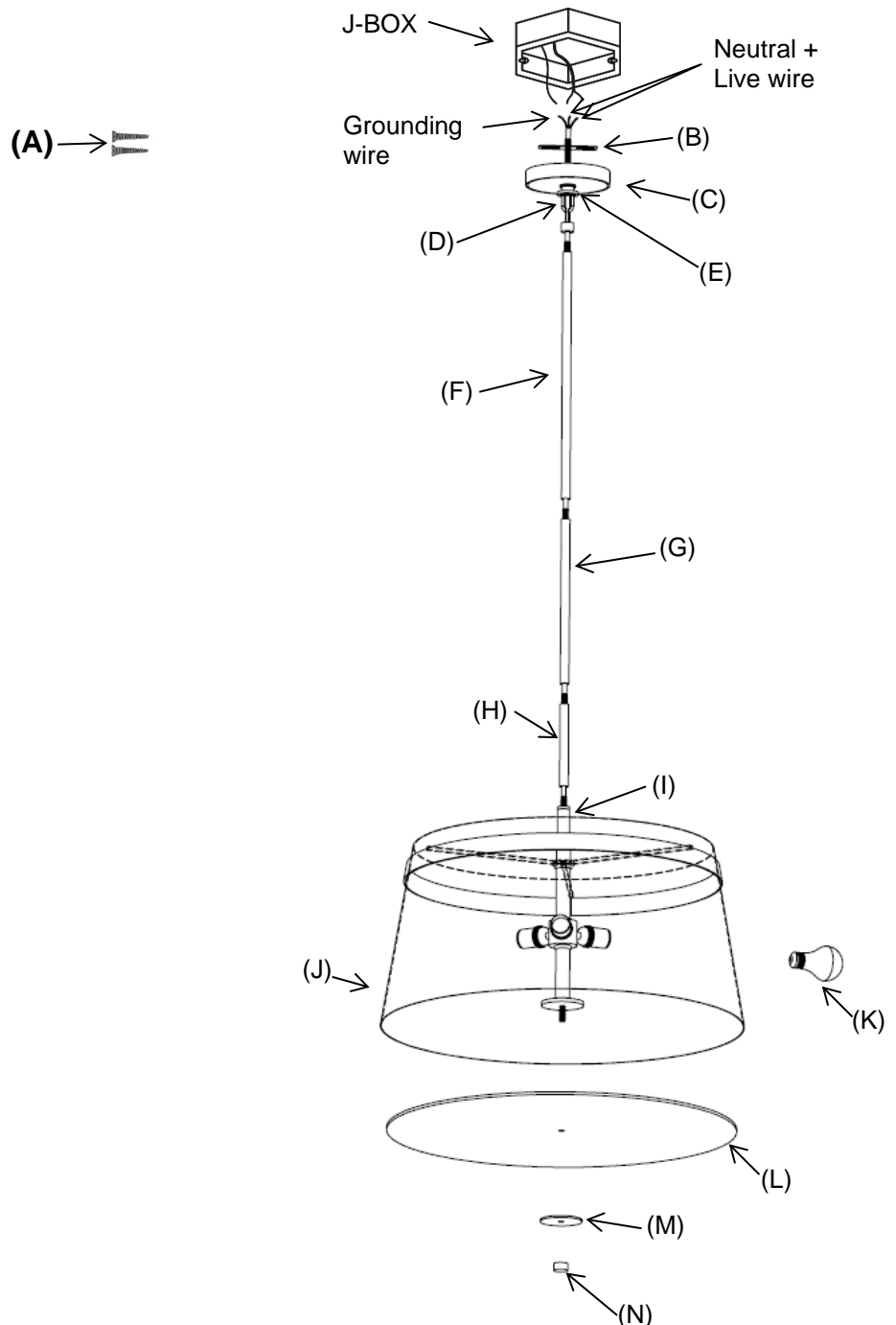
- **To reduce the risk of fire, electrical shock or personal injury, always turn off light fixture and allow it to cool prior to replacing light bulb.**
- **Do not touch bulb when fixture is turned on. Do not look directly at lit bulb.**
- **Keep flammable materials away from lit bulb.**
- **Check the cable properly for any loose or damaged connections.**
- **When the unit is no longer functioning, do not attempt to fix it by yourself. Only a qualified technician is allowed to disassemble and repair.**
- **If the external flexible cable cord of this luminaire is damaged it shall be exclusively replaced by a qualified electrician in order to avoid hazard.**

Pre-Assembly:

- Remove all parts and hardware from the box along with any plastic protective packaging. Do not discard contents until after assembly is complete to avoid accidentally discarding small parts or hardware.
- Determine the hanging length of the Chandelier. Connect some or all Adjustable pipes (F) (G) (H) (I) according to the height needed.
- **Note** – While securing Adjustable pipes, hold the cord tight to prevent it from twisting.
- **TOOLS REQUIRED (not included):** Ladder, Phillips Head Screw Driver, Wire Cutter/Stripper & Electrical Tape.

Parts List:

- (A) Screws – 2 Units
- (B) Mounting Plate
- (C) Canopy
- (D) Canopy Loop
- (E) Threaded Ring
- (F) Adjustable Pipe 18"
- (G) Adjustable Pipe 12" – 2 Units
- (H) Adjustable Pipe 6"
- (I) Adjustable Pipe 3"
- (J) Chandelier
- (K) Bulb (not included)
- (L) Acrylic Diffuser
- (M) Metal Disc
- (N) Finial



Installation Instructions:

1. **SHUT OFF THE MAIN ELECTRICAL SUPPLY FROM THE MAIN FUSE BOX/CIRCUIT BREAKER.**
2. Gently pull existing wires down from the ceiling junction box and allow them to hang.
3. Feed wires through the adjustable pipes, the wires will come out on the back side of the canopy (C).
4. Attach the Mounting Plate (B) to the ceiling and secure with Mounting Screws (A) (included).
5. Establish electrical connections:
 - a) Connect the NEUTRAL FIXTURE WIRE to the NEUTRAL JUNCTION BOX WIRE (usually white or ribbed insulation). Fasten each together with a wire connector and wrap the connection with electrical tape. Be sure that no wire strands are exposed.
 - b) Connect the HOT FIXTURE WIRE to the HOT JUNCTION BOX WIRE (usually black or smooth insulation). Fasten each together with a wire connector and wrap the connection with electrical tape. Be sure that no wire strands are exposed. **DO NOT REVERSE THE HOT AND NEUTRAL CONNECTIONS OR SAFETY WILL BE COMPROMISED.**
 - c) Connect the GROUND WIRE of the fixture to the GROUND J-BOX WIRE (usually green or copper bare) with a wire connector and wrap the connection with electrical tape. Be sure that no wire strands are exposed. If there is no ground wire in the J-Box, use a screwdriver to secure the end of the fixture ground wire to the GREEN screw located on the cross bar (A).
6. After all connections are made, Slide the Canopy (C) up to be flush with the ceiling, tighten into place using the Threaded Ring (E).
7. Insert three (03) **60 watt maximum Type A bulbs** (not included) into the sockets. **DO NOT EXCEED THE RECOMMENDED WATTAGE.**
8. Install Acrylic Diffuser (L) to Chandelier (J) by attaching Metal Disc (M) and Finial (N).
9. Restore power to ceiling outlet junction box and test fixture.
10. Installation is complete.

Care Instructions:

- Do not use abrasive cleaning solution as it may cause damage to the fixture's finish.
- Wipe clean with a soft, dry cloth or static duster.