

PALECEK®

601 PARR BOULEVARD | RICHMOND | CA 94801

PENDANT INSTALLATION INSTRUCTIONS

Carolina Outdoor Chandelier, Large

236479

PROFESSIONAL INSTALLATION REQUIRED

CAUTION: SHUT OFF THE POWER AT THE MAIN UTILITY BOX BEFORE DOING ANY ELECTRICAL CONNECTIONS TO AVOID ANY RISK OF ELECTRICAL HAZARD. ENSURE THE CEILING CAN SUPPORT THE WEIGHT OF THE PRODUCT.

Important Safety Instructions:

- These instructions are provided for your safety. It is important that they are read carefully before use to ensure safe operation of the product.
- Installation by a licensed professional electrician required.
- This fixture has been rated for up to eight (8) **40 watt maximum E12 candelabra-base bulbs** (not included) or eight (8) **4.5-watt maximum** LED light bulbs (not included). T style bulb recommended. To avoid the risk of fire, do not exceed recommended wattage.

Warning:

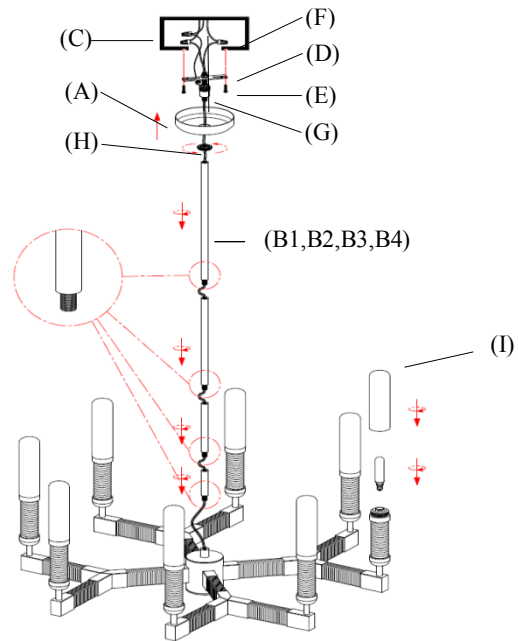
- *THIS PRODUCT MUST BE INSTALLED IN ACCORDANCE WITH THE APPLICABLE INSTALLATION CODES BY A PERSON FAMILIAR WITH THE CONSTRUCTION AND OPERATION OF THE PRODUCT AND THE HAZARDS INVOLVED.*
- To reduce the risk of fire, electrical shock or personal injury, always turn off light fixture and allow it to cool prior to replacing light bulb.
- Do not touch bulb when fixture is turned on. Do not look directly at lit bulb.
- Keep flammable materials away from lit bulb.
- Check the cable properly for any loose or damage connections.
- When the unit is no longer functioning, do not attempt to fix it by yourself. Only qualified technician is allowed to disassemble and repair.
- If the external flexible cable cord of this luminaire is damaged it shall be exclusively replaced by a qualified electrician in order to avoid hazard.
- Suitable for Dry, Damp, and Wet Locations.

Pre-Assembly:

1. Remove all parts and hardware from the box and keep them until assembly is complete to prevent accidental loss.
2. Power Off: Before installation, turn off the circuit power at the main fuse box or circuit breaker utility box.
3. Protect the floor with a soft cloth if there's no carpet to avoid scratching the light or floor.
4. Tools Required (not included): Ladder, Phillips Head & Flat Blade Screwdrivers, Wire Cutter/Stripper, and Electrical Tape

Parts List:

- A) Canopy
- B) Metal Poles (B1, B2, B3, B4)
- C) Wall Junction Box
- D) Mounting Plate
- E) Mounting Screws
- F) Wire Connector
- G) Canopy Screw
- H) Canopy Ring
- I) Glass Shade



1. SHUT OFF THE MAIN ELECTRICAL SUPPLY FROM THE MAIN FUSE BOX/CIRCUIT BREAKER
2. Determine the distance to suspend your pendant from the ceiling. To shorten the overall hanging height, slide the Canopy (A) from the cable and remove the number of Metal Poles (B1, B2, B3, B4) according to your requirement. Re-thread the cable through the canopy and attach upper pole directly into the canopy by turning clockwise until it is secure. Secure each threaded joint of the poles properly by tightening clockwise.
3. Gently pull existing wires out from the wall junction box (C) and allow them to hang. The hot or live wire is black and the neutral wire is white. Check to see if there is a ground wire that is either green or green with a yellow stripe or exposed copper metal wire. If needed, use a pair of wire strippers to remove about ½ inch of insulation from each wire
4. Gently pull the slack cable out of the canopy until the assembled poles meet the thread of the Socket Fixture. Screw the lower pole into the Socket fixture. Ensure that the poles are turned clockwise until it is secured. Hold the Socket fixture stationary and rotate the pole to prevent twisting of the cable
5. Gently pull existing wires down from the ceiling junction box and allow them to hang.
6. Secure the Mounting Plate (D) to the Junction Box with the Mounting Screws (E). Tighten until snug.

7. Establish electrical connections:
 - a. Connect the NEUTRAL FIXTURE WIRE to the NEUTRAL JUNCTION BOX WIRE (usually white or ribbed insulation). Fasten each together with a wire connector (F) and wrap the connection with electrical tape. Be sure that no wire strands are exposed.
 - b. Connect the HOT FIXTURE WIRE to the HOT JUNCTION BOX WIRE (usually black or smooth insulation). Fasten each together with a wire connector (F) and wrap the connection with electrical tape. Be sure that no wire strands are exposed. **DO NOT REVERSE THE HOT AND NEUTRAL CONNECTIONS OR SAFETY WILL BE COMPROMISED.**
 - c. Connect the GROUND WIRE of the fixture to the GROUND J-BOX WIRE (usually green or bare) with a wire connector (F) and wrap the connection with electrical tape. Be sure that no wire strands are exposed. If there is no ground wire in the J-Box, use a screwdriver to secure the end of the fixture ground wire to the GREEN screw located on the Mounting Plate (D).
8. After all connections are made, attach the Canopy (A) to the Mounting Plate (D). Insert the Canopy Screw (G) through the Canopy and twist the Canopy Ring (H) clockwise to tighten the Canopy against the ceiling. Do not over-tighten the screws.
9. Insert eight (8) **40 watt maximum E12 candelabra-base bulbs** (not included) or eight (8) **4.5-watt maximum LED light bulbs**
10. Fix the Glass Shade (I) over the socket and tighten the Shade clockwise by hand.
11. Restore power to ceiling outlet junction box and test fixture.
12. Installation is complete.