

PALECEK®

601 PARR BOULEVARD | RICHMOND | CA 94801

PENDANT INSTALLATION INSTRUCTIONS

YVONNE CHANDELIER

229679

PROFESSIONAL INSTALLATION REQUIRED

CAUTION: BEFORE INSTALLING FIXTURE, MAKE SURE THE POWER TO THE CIRCUIT IS TURNED OFF AT THE MAIN FUSE BOX / CIRCUIT BREAKER UTILITY BOX.

Important Safety Instructions:

- These instructions are provided for your safety. It is important that they are read carefully before use to ensure safe operation of the product.
- Installation by a licensed professional electrician required.
- THIS PRODUCT MUST BE INSTALLED IN ACCORDANCE WITH THE APPLICABLE INSTALLATION CODES BY A PERSON FAMILIAR WITH THE CONSTRUCTION AND OPERATION OF THE PRODUCT AND THE HAZARDS INVOLVED.
- The lighting fixture is meant for indoor use. It must be connected only to 3-wire, single-phase electrical supply systems (provided with Ground wire or equivalent protection system).
- For your safety, it is strongly recommended that two people install the lighting fixture.
- This fixture has been rated for sixteen (16) **25 watt maximum Type B bulbs** (not included). To avoid the risk of fire, do not exceed the recommended lamp wattage. Consider LED bulbs if brighter light output is desired.
- The lighting fixture is meant for indoor use, DRY LOCATIONS ONLY.
- **Save these instructions.**

WARNING:

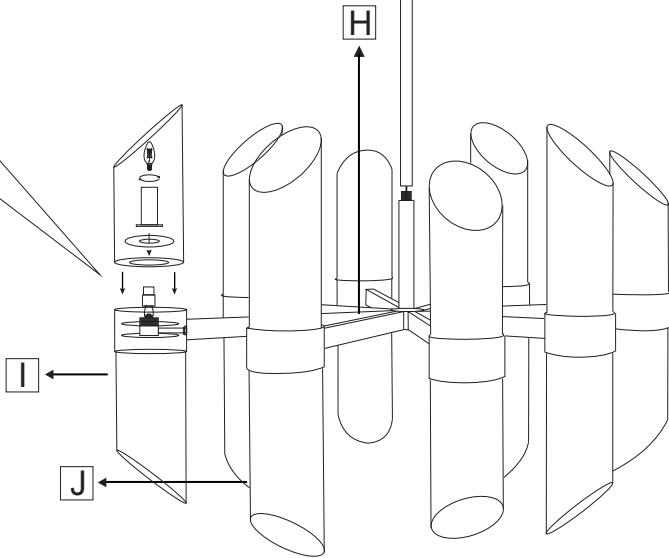
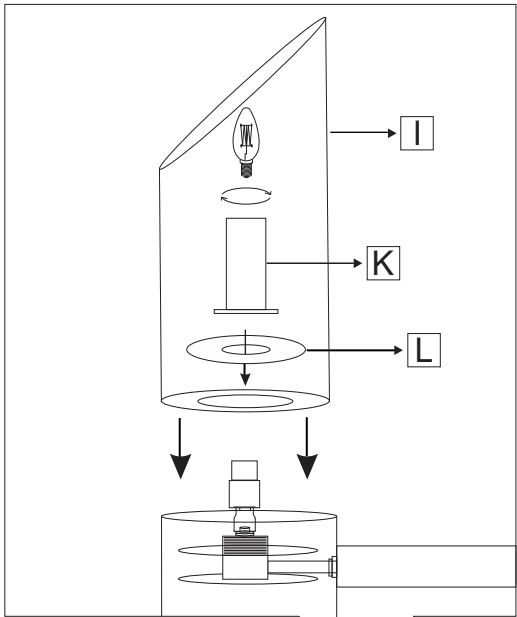
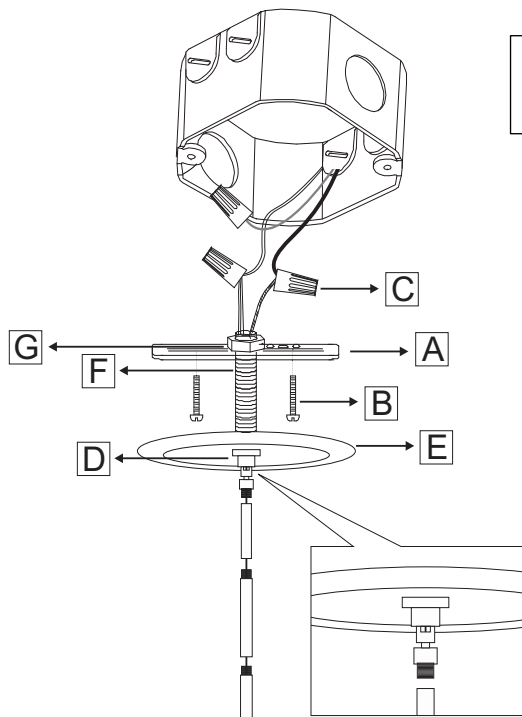
- **To reduce the risk of fire, electrical shock or personal injury, always turn off light fixture and allow it to cool prior to replacing light bulb.**
- **Do not touch bulb when fixture is turned on. Do not look directly at lit bulb.**
- **Keep flammable materials away from lit bulb.**
- **Check the cable properly for any loose or damaged connections.**
- **If the unit is no longer functioning, do not attempt to fix it by yourself. Only a qualified technician is allowed to disassemble and repair.**
- **If the external flexible cable cord of this luminaire is damaged it shall be exclusively replaced by a qualified electrician in order to avoid hazard.**

TOOLS REQUIRED (not included): Ladder, Phillips Head Screwdriver and Wire Cutter/Stripper & Electrical Tape.

JUNCTION
BOX

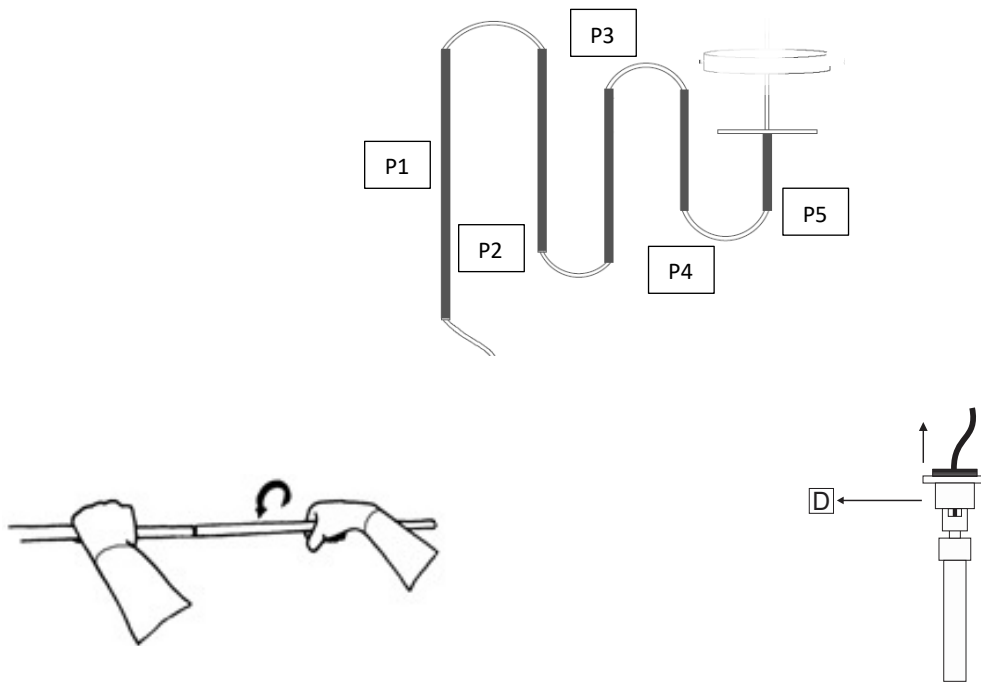
Parts List:

- A) Mounting Plate
- B) Mounting Screws (2x)
- C) Wire Connectors (3x)
- D) Pipe Hook
- E) Canopy
- F) Threaded Tube
- G) Hex Nut
- H) Lamp Fixture
- I) Short Glass Shade
- J) Tall Glass Shade
- K) Holder Cover
- L) Holder Plate

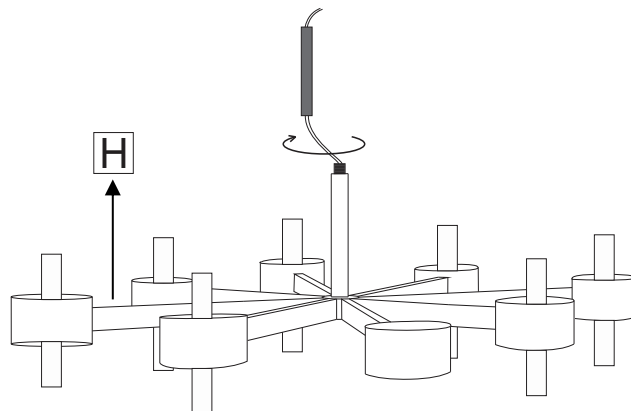


Pre-Assembly:

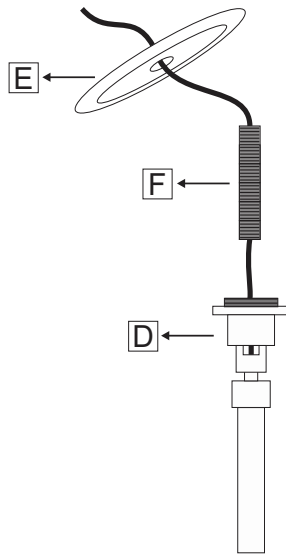
- Remove all parts and hardware from the box along with any plastic protective packaging. Do not discard contents until after assembly is complete to avoid accidentally discarding small parts or hardware.
- For your safety and convenience, assembly by two people is recommended
- Lay the product out on the floor. If there is no carpet, cover the floor with a soft cloth so as not to scratch the finish of the light or the floor.
- Determine the desired height to suspend your pendant from the ceiling. Select the number of metal poles (P1, P2, P3, P4, P5) according to your requirement. Thread the cable through the poles and combine the lengths by tightening them together clockwise. Thread the cord through the Pipe Hook (D) and attach it to the top pole.



- Gently pull the slack cable through the Poles and Pipe Hook (D) until the assembled poles meet the thread of the Lamp Fixture (H). Screw the lower pole into the lamp fixture (H) by turning clockwise until fully tightened. Hold the lamp fixture stationary and rotate the pole to prevent twisting of the cable.

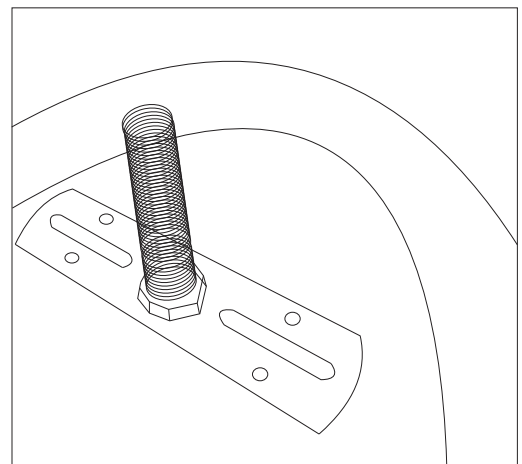
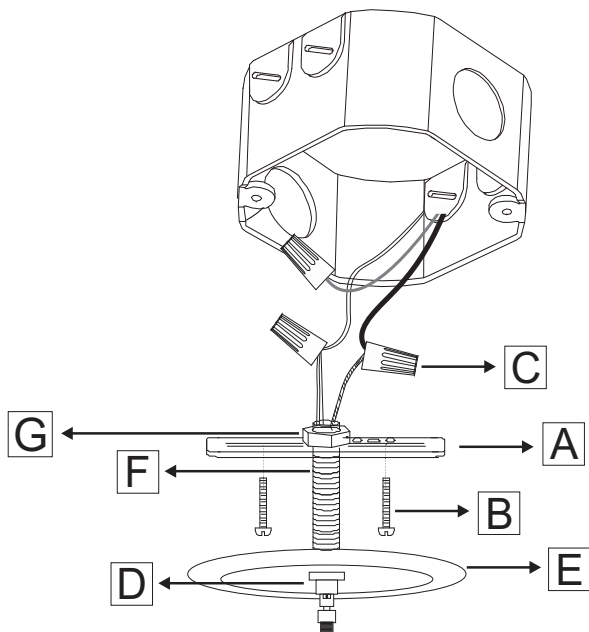


- Thread the cable through the Threaded Tube (F) and leave it hanging loosely. Slide the Canopy (E) Over the cable and Threaded Tube (F).



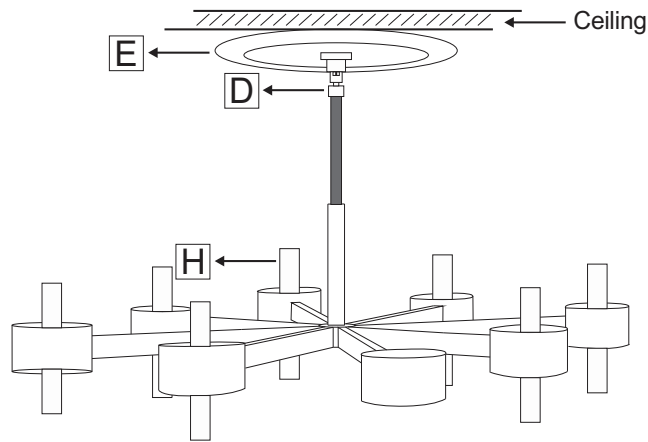
Installation Instructions:

1. **SHUT OFF THE MAIN ELECTRICAL SUPPLY FROM THE MAIN FUSE BOX/CIRCUIT BREAKER.**
2. Gently pull existing wires down from the ceiling junction box and allow them to hang.
3. Attach Mounting Plate (A) to the Threaded Tube (F). Secure by attaching the Hex nut (G) to the Threaded Tube (F).
4. With the help of another person, carefully lift the fixture up and connect the Mounting Plate (A) to the Junction Box and attach with Mounting Screws (B).



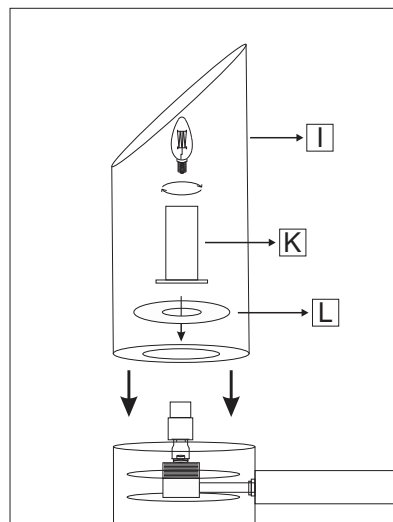
5. Establish electrical connections:

- a) Connect the NEUTRAL FIXTURE WIRE to the NEUTRAL JUNCTION BOX WIRE (usually white or ribbed insulation). Fasten each together with a wire connector (C) and wrap the connection with electrical tape. Be sure that no wire strands are exposed.
 - b) Connect the HOT FIXTURE WIRE to the HOT JUNCTION BOX WIRE (usually black or smooth insulation). Fasten each together with a wire connector (C) and wrap the connection with electrical tape. Be sure that no wire strands are exposed. **DO NOT REVERSE THE HOT AND NEUTRAL CONNECTIONS OR SAFETY WILL BE COMPROMISED.**
 - c) Connect the GROUND WIRE of the fixture to the GROUND Junction BOX WIRE (usually green or bare) with a wire connector (C) and wrap the connection with electrical tape. Be sure that no wire strands are exposed. If there is no ground wire in the Junction box, use a screwdriver to secure the end of the fixture ground wire to the GREEN screw located on the Mounting Plate (A).
6. After all connections are made, gently push excess wires into the junction box. Slide Canopy (E) up and hold flush against ceiling. Twist the outer ring of the Pipe Hook (D) upwards to hang the Lamp Fixture (H).



7. Insert the Glass Shade (I) in the ring of Lamp Fixture and put the Holder Plate (L) through bulb socket then tighten the holder cover (K) securely. Do not over-tighten the holder cover (K). Use the same method on the top and bottom of each ring. Make Sure the parts K and L (Holder cover and Holder Plate) go on straight to ensure the glass will be on straight vertically. The cut angled side of the glass should be facing outwards.

Note: The Short glass (I) goes on the longer arms, and the Tall glass (J) goes on the shorter arms.



8. Insert 25 **watt maximum Type B bulbs** (not included) into the socket. **DO NOT EXCEED THE RECOMMENDED WATTAGE.** Consider LED bulbs if brighter light output is desired.
9. Restore power to ceiling outlet junction box and test fixture.
10. Installation is complete.

Care Instructions:

- Do not use abrasive cleaning solution as it may cause damage to the fixture's finish.
- Wipe clean with a soft, dry cloth or static duster.
- Keep replacement glass pieces (one of each size included) in case of breakage.