

ASSEMBLY INSTRUCTION

**ZANA TABLE LAMP**

BASE - 221705C  
SHADE - #18

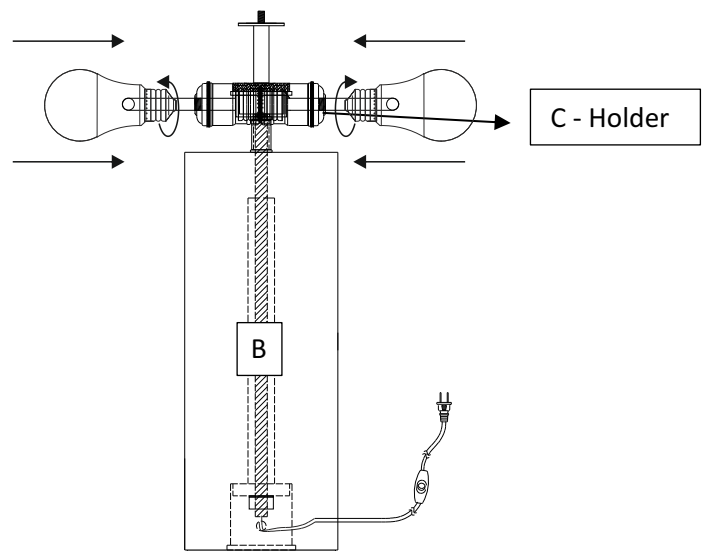
These instructions are provided for your convenience. It is very important that they are read carefully and completely before beginning installation of this item.

**Parts List:**

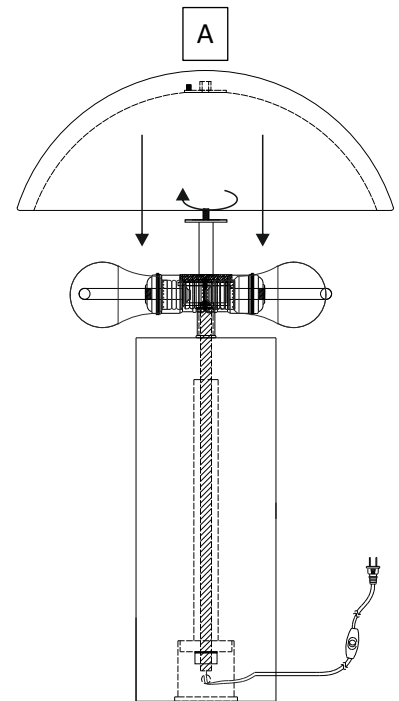
- A) Stone Shade x 1pc
- B) Stone Base x 1pc
- C) Holder x 2pc

**To Assembly:**

1. Fix bulb in sockets as shown below in image.



2. Place Shade on spacer and rotate shade in clockwise direction for fixing.



3. Put wire Plug in socket and ON the switch.

