

# PALECEK®

601 PARR BOULEVARD | RICHMOND | CA 94801

## WALL SCONCE INSTALLATION INSTRUCTIONS

### IRVING SINGLE SCONCE

294379C



#### PROFESSIONAL INSTALLATION REQUIRED

**CAUTION: BEFORE INSTALLING FIXTURE, MAKE SURE THE POWER TO THE CIRCUIT IS TURNED OFF AT THE MAIN FUSE BOX / CIRCUIT BREAKER UTILITY BOX.**

#### Important Safety Instructions:

- These instructions are provided for your safety. It is important that they are read carefully before use to ensure safe operation of the product.
- Installation by a licensed professional electrician required.
- THIS PRODUCT MUST BE INSTALLED IN ACCORDANCE WITH THE APPLICABLE INSTALLATION CODES BY A PERSON FAMILIAR WITH THE CONSTRUCTION AND OPERATION OF THE PRODUCT AND THE HAZARDS INVOLVED.
- The lighting fixture is meant for indoor use. It must be connected only to 3-wire, single-phase electrical supply systems (provided with Ground wire or equivalent protection system).
- For your safety, it is strongly recommended that two people install the lighting fixture.
- This fixture has been rated for up to **one (1) 40-watt maximum E12 medium-base bulb OR one (1) 6w maximum LED bulb** (not included). To avoid the risk of fire, do not exceed the recommended lamp wattage.
- The lighting fixture is meant for indoor use, DRY LOCATIONS ONLY. **Save these instructions.**





#### WARNING:

- **To reduce the risk of fire, electrical shock or personal injury, always turn off light fixture and allow it to cool prior to replacing light bulb.**
- **Do not touch bulb when fixture is turned on. Do not look directly at lit bulb.**
- **Keep flammable materials away from lit bulb.**
- **Check the cable properly for any loose or damaged connections.**
- **When the unit is no longer functioning, do not attempt to fix it by yourself. Only a qualified technician is allowed to disassemble and repair.**
- **If the external flexible cable cord of this luminaire is damaged it shall be exclusively replaced by a qualified electrician in order to avoid hazard.**

#### Pre-Assembly:

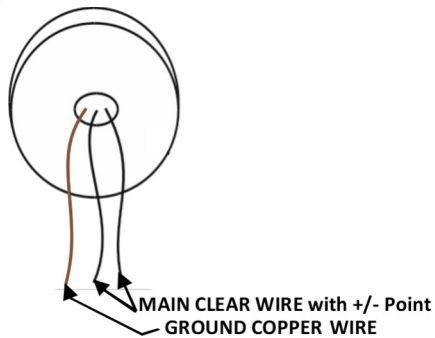
- Remove all parts and hardware from the box along with any plastic protective packaging. Do not discard contents until after assembly is complete to avoid accidentally discarding small parts or hardware.
- For your safety and convenience, assembly by two people is recommended
- Lay the product out on the floor. If there is no carpet, cover the floor with a soft cloth so as not to scratch the finish of the light or the floor.

**TOOLS REQUIRED (not included):** Ladder, Phillips Head & Screwdrivers , Wire Cutter/Stripper & Electrical T ape.

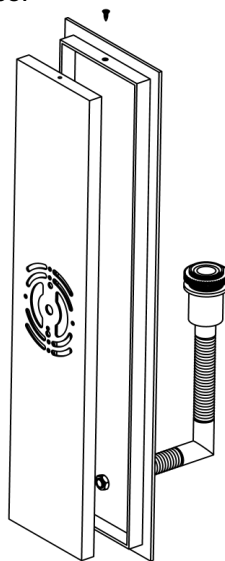
<b>HARDWARE</b>			
<b>CODE</b>	<b>IMAGE</b>	<b>DESCRIPTION</b>	<b>QTY.</b>
<b>A</b>		<b>WIRE CONNECTOR</b>	<b>3 Pcs.</b>
<b>B</b>		<b>MACHINE SCREWS</b>	<b>2 Pcs.</b>
<b>C</b>		<b>WALL ANCHORS</b>	<b>4 Pcs.</b>
<b>D</b>		<b>WOOD SCREWS</b>	<b>4 Pcs.</b>

### **Installation Instructions:**

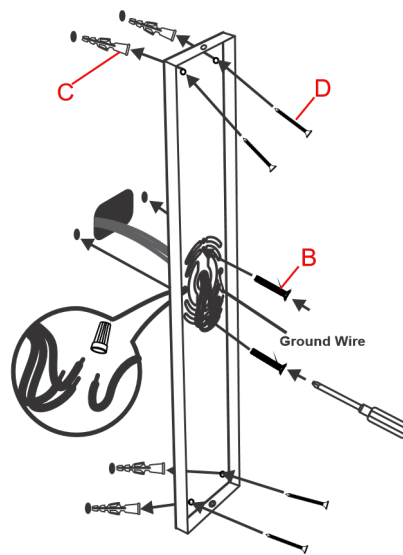
- 1. SHUT OFF THE MAIN ELECTRICAL SUPPLY FROM THE MAIN FUSE BOX/CIRCUIT BREAKER.**
- Gently pull existing wires out from the junction box and allow them to hang.
- Check to see if there is a ground wire that is a copper metal wire. If needed, use a pair of wire strippers to remove about ½ inch of insulation from each wire.



4. Unscrew the mounting bracket from the wall sconce.



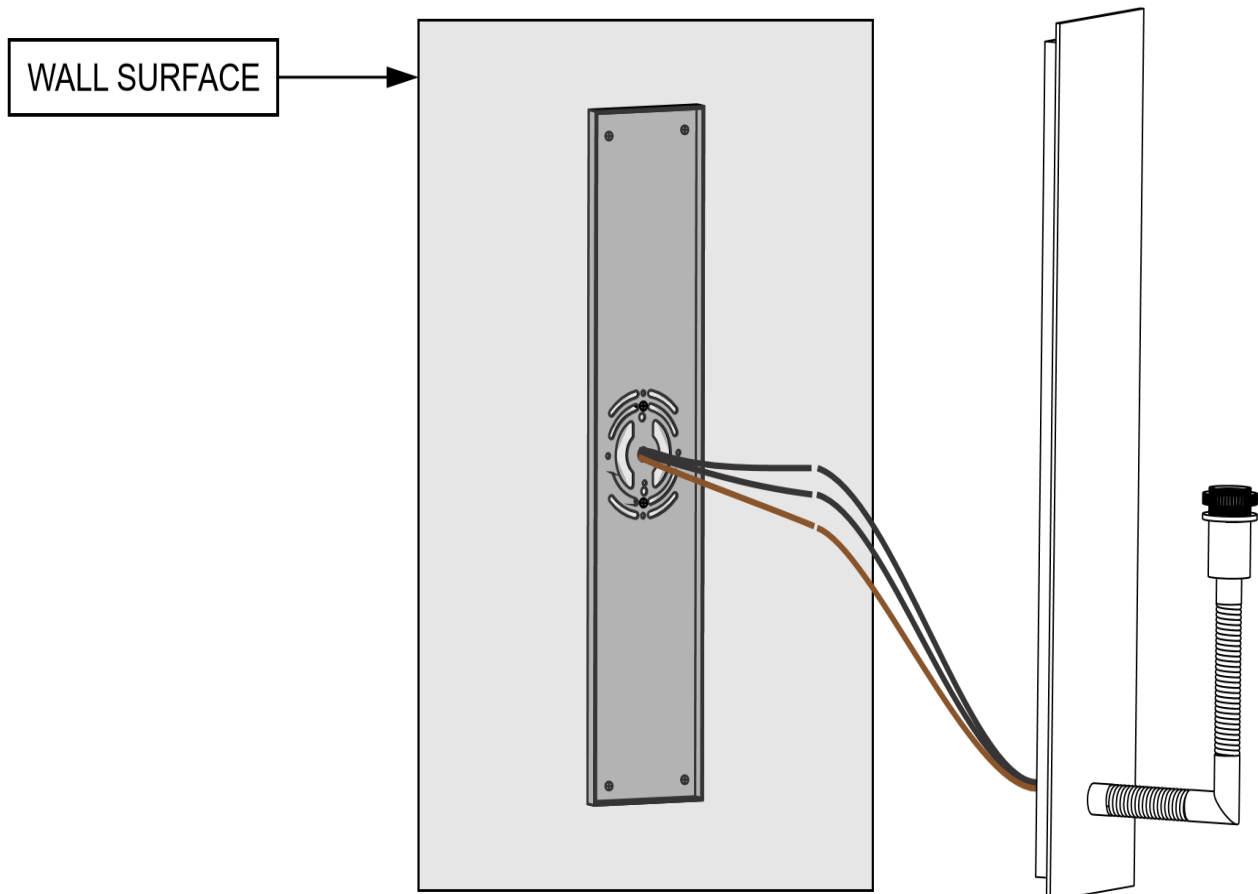
5. Insert the junction box wires through the center opening of the mounting bracket. Attach the mounting bracket to the wall outlet box using the two machine screws(B), four wood screws(D) and four wall anchors(C) as shown in the picture.



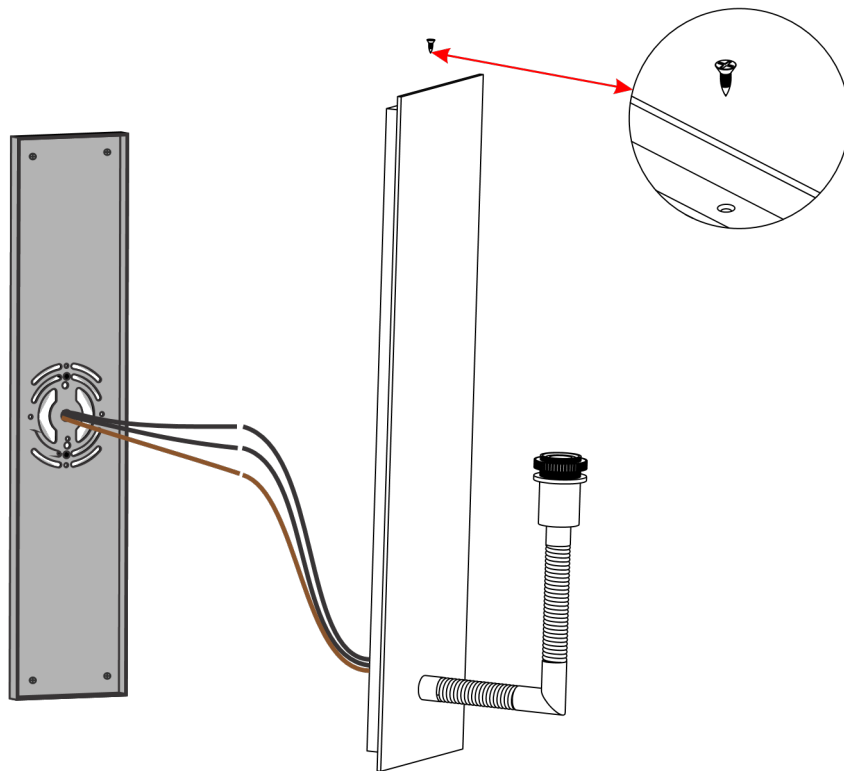
6. Establish electrical connections:

- Connect the NEUTRAL (-) FIXTURE WIRE to the NEUTRAL (-) JUNCTION BOX WIRE. Fasten each together with a wire connector (A) and wrap the connection with electrical tape. Be sure that no wire strands are exposed.
- Connect the HOT (+) FIXTURE WIRE to the HOT (+) JUNCTION BOX WIRE. Fasten each together with a wire connector (A) and wrap the connection with electrical tape. Be sure that no wire strands are exposed.

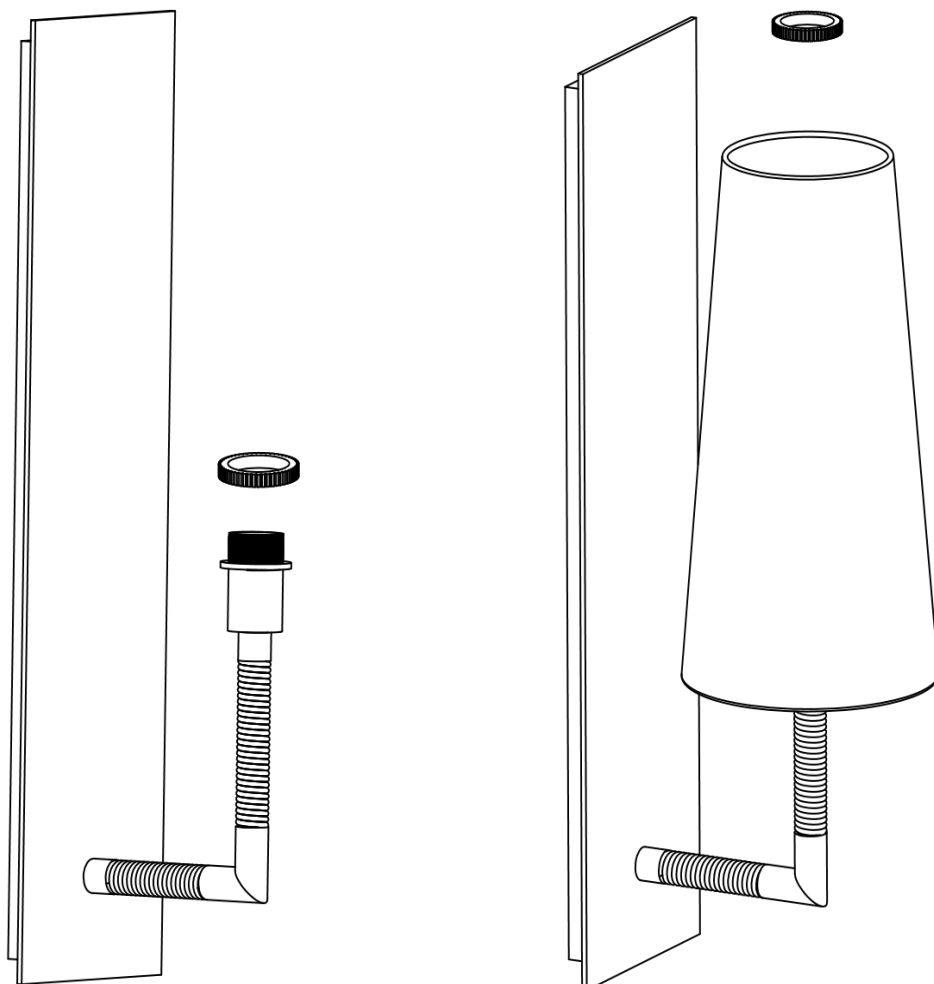
**DO NOT REVERSE THE HOT (+) AND NEUTRAL (-) CONNECTIONS OR SAFETY WILL BE COMPROMISED.**



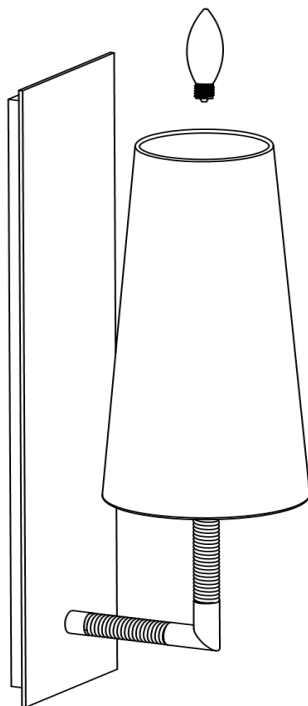
7. Place the sconce metal fixture on the mounting bracket and tighten with top screw.



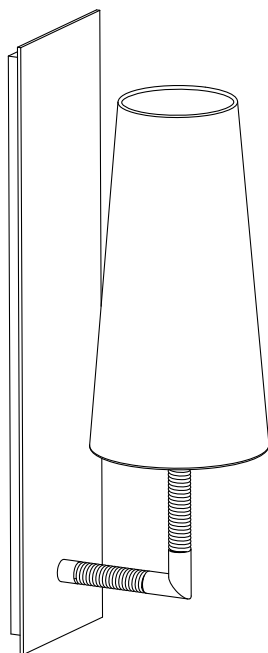
8. Remove the washer from the metal cap and fix the shade and tighten with washer.



9. Insert the bulb in E12 socket.



10. Installation is completed.



### Care Instructions:

- Do not use abrasive cleaning solution as it may cause damage to the fixture's finish.
- Wipe clean with a soft, dry cloth or static duster.