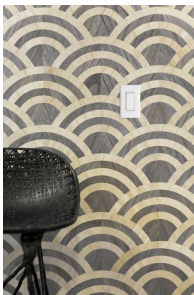


Wireless Wall Switch



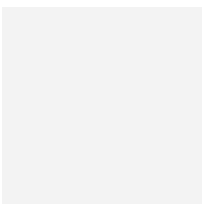
The Wireless Wall Switch provides the easiest way of dimming and full smooth dimming range. You have full control over your Moooi lighting design with one touch! And best of all? There's no need to change your home's wiring, because it works with Bluetooth (Casambi). The Wireless Wall Switch can be integrated with your existing wall switches, and it charges itself, so there's no need for electricity. Important! The Wireless Wall Switch is currently compatible with the NomNom Light, Starfall Light, Heracleum III family, Gravity Chandelier, Raimond II (all variants excluding R127-R163-R199 and Tensegrity) and the Flock of Light (all variants, but please contact us when you purchase a Flock of Light 11 or 21, because an additional component is needed).

Detailing



There's no need to change your home's wiring, because it works with Bluetooth. With one simple touch you can enjoy a full dimming range.

Colours

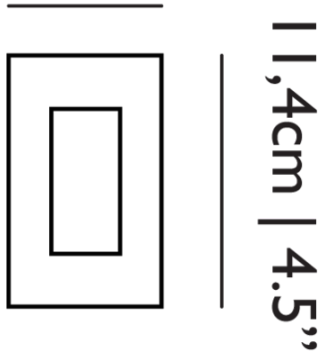


White

Wireless Wall Switch

Dimensions

7,0cm | 2.8"



Product

WIDTH 7cm | 2.8"

HEIGHT 11cm | 4.3"

DEPTH 1.6cm | 0.6"

WEIGHT NETTO 0.93kg |
2.05lbs

Packaging

WIDTH 14cm | 5.5"

HEIGHT 5cm | 2"

CUBAGE 0m³ | 0.04ft³

LENGTH 18cm | 7.1"

WEIGHT 0.2kg | 0.44lbs

Technical

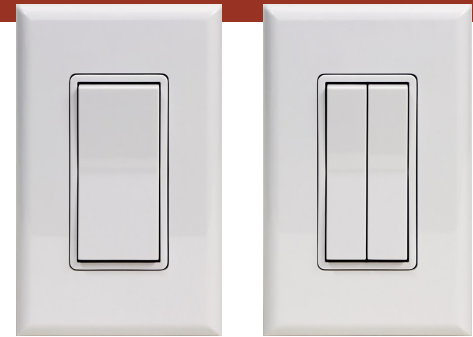
ADDITIONAL

The price of the Wireless Wall Switch is net, dealer discounts do not apply.

Wireless Self-Powered Dimming Wall Controller

Overview

- Casambi Wireless Mesh
- Self-powered
- Manual on/off (wireless)
- Dim up/down (wireless)
- ioXt Alliance cybersecurity certification
- Tunable White
- Surface or Flush Mount or mounts in standard wall box
- Color: white



PSC-EO-WS-100-BLE

PSC-EO-WS-400-BLE

Suitable for Indoor Use Only



Applications

McWong's Wireless Self-powered wall controllers (PSC-EO-WS Series) provide automatic lighting control for a variety of indoor applications.

These devices do not require wires or batteries; they utilize an integrated micro-generator powered Casambi Wireless Mesh transmitter to send a wireless signal.

PSC-EO-WS Series Wireless Switches offer a familiar and convenient interface for communicating with compatible controllers.

Typical applications include private offices, open offices, classrooms, conference rooms and any application where running power or control wiring is impossible or undesirable. Standard decorator style opening allow for easy multi-gang installations.

Operation

Casambi Wireless Mesh Controls: The Wall Control connects to a wireless mesh network via a mobile app, available as iOS or Android, to allow initial setup and subsequent parameters adjustments.

User Interface: Using the mobile app, features include: setup, control real time feedback, and scheduling without a gateway or internet access.

The single-button unit provides ON/Raise and OFF/Lower for one zone of lighting.

The dual-button unit provides ON/Raise and OFF/Lower for one zone of lighting on the left switch. The right switch is for presets A (top) or preset B (bottom) or for tunable white - warm (top) cool (bottom).

These wall controls can also be programmed for override control for one or more zones.

See the McWong Casambi Commissioning Manual for more information.

Summary

Product Type:
Wall Controller

Input Voltage | Power Consumption:
Self-powered

Mounting:
Surface or Flush Mount

Max Wireless Range¹:
30ft (9.14m)

Operating Temperature:
-25° to 65°C

Storage Temperature:
-25° to 65°C

Relative Humidity:
90-95% non-condensing at 30°C

Color: White

Warranty: 5 years

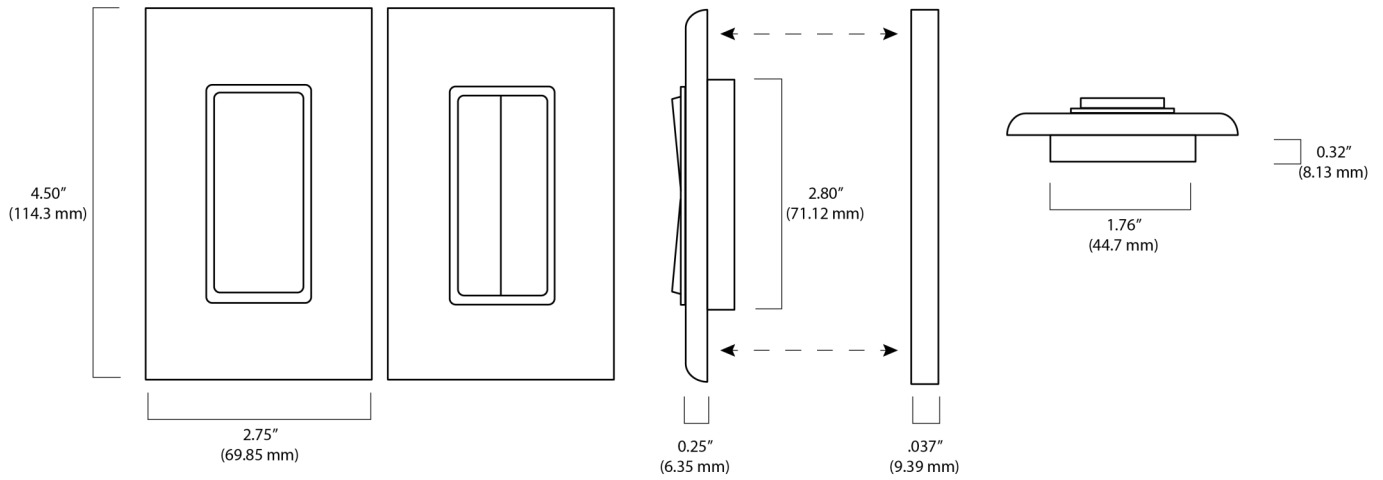
Note:

1. Wireless Range is highly dependent on the integration of fixtures, surrounding environment and conditions. It is recommended to conduct testing for range accuracy.

Project

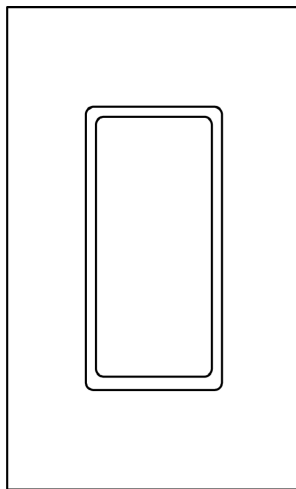
Location/Type

Physical Dimensions



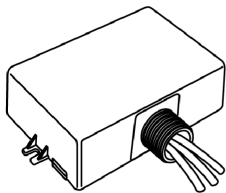
Drawings are not to scale

Wireless Manual Control

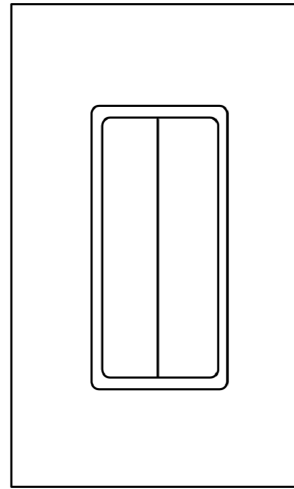


Tap ON
Press and Hold to Raise*

Tap OFF
Press and Hold to Lower*

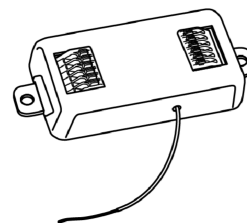


*Requires single-channel controller



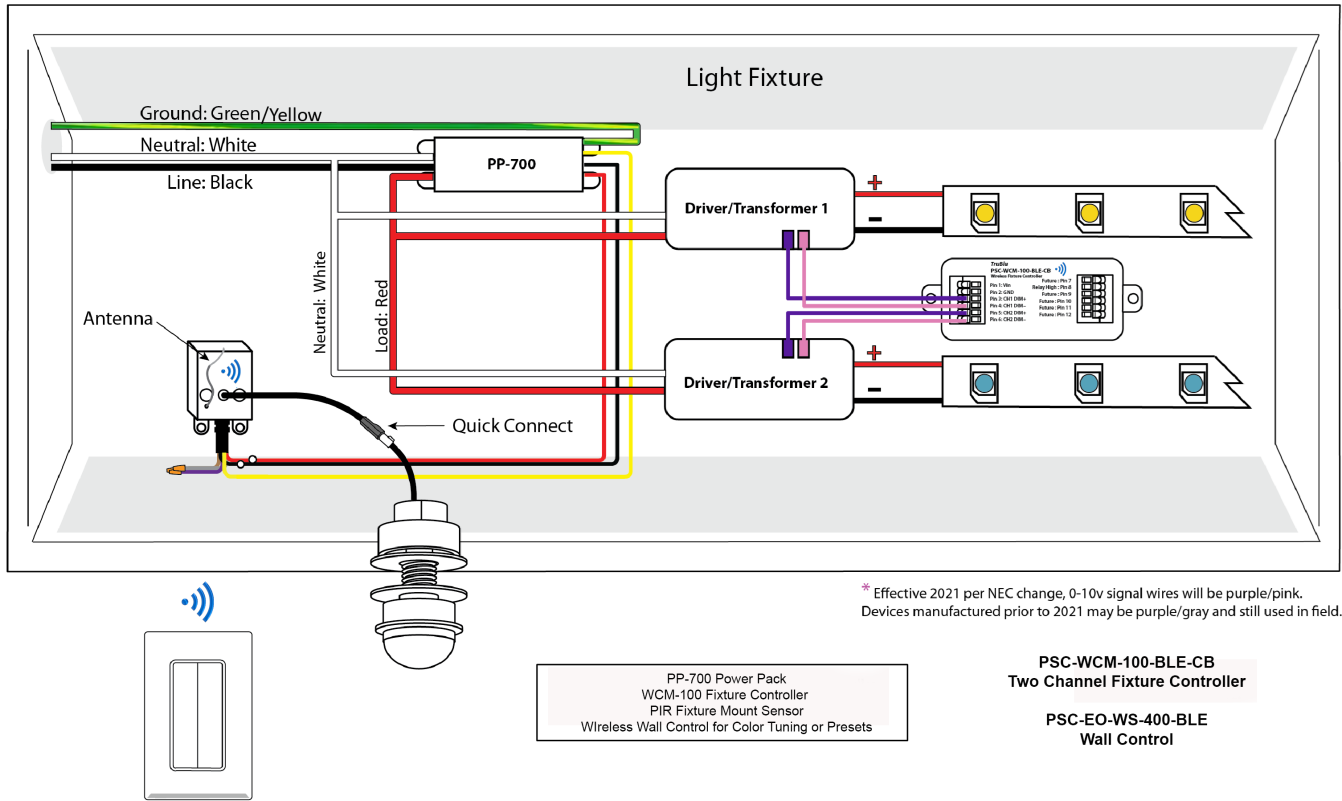
Scene A or
Warm Color*

Scene B or
Cool Color*

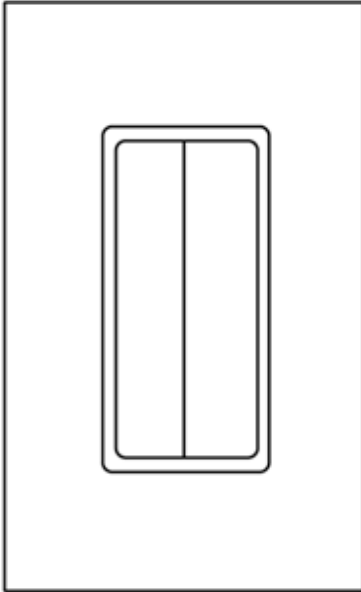


*Requires dual-channel controller

Examples



Advanced Programming Button Functions



Two Button Configuration

The **PSC-EO-WS-400-BLE** buttons can be programmed using the McWong Casambi Mobile App to assign advanced features:

Buttons can be assigned to control: (see users guide for more)

A Luminaire (a fixture).

A zone (a group of Luminaires to be controlled together).

An area (a group of groups).

A scene (group 1 @100%, group 2@50%, group 3@15%).

All Fixtures

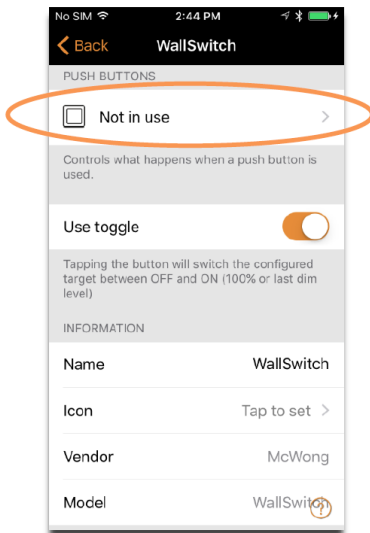
Toggle: If you set a button as a toggle you turn on or off any of the above functions. If you turn off the toggle mode then L ATP (last action or button press takes precedence).

Tunable White Adjust Color

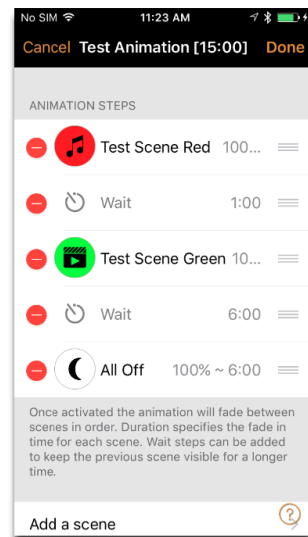
Adjust color of the light output of the light fixtures (tunable white: cooler or warmer to mimic daylight)

Animation: Dynamic Scenes or Cycle Scenes

Playback multiple scenes, with adjustable time (fade time), how long the scenes are on (wait), the time transitioning of the scenes (fade), the order of the scenes, repeat. You can have the animation run until you turn off with the switch. Or you can start or stop using the time schedule function.



Configuring switch button



Animation example

How to Order

Model No.	Description
PSC-EO-WS-100-BLE	Wireless Single Rocker, Self-Powered Dimming Wall Controller, Casambi Wireless Mesh
PSC-EO-WS-400-BLE	Wireless Dual Rocker, Self-Powered Dimming Wall Controller, Scene Control, Casambi Wireless Mesh

Design and specifications are subject to change without notice.