

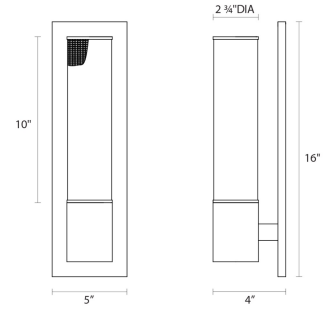
Project:

## Urban Edge Panel Sconce Spec Sheet

SKU: 4943.97 Learn more at:  
<https://sonnemanlight.com/urban-edge-panel-sconce>

Description: Uptown sophistication with a Downtown edge allows the glow of this helix filament to radiate through the texture of black wire mesh. Also available as a [Sconce](#) and [Pendant](#).

Type #:



### Dimensions

Height:	16"
Width:	5"
Extends:	4"
Minimum Extension:	4"
Maximum Extension:	4"
Size:	1-Light

### Electrical Specs

Bulb 1 Type:	Medium Base
Bulb Quantity:	1
Input Voltage:	120VAC
Wattage:	60
Color Temperature:	N/A
Dimming Type:	N/A

### Installation

Installation:	Licensed electrician required
Installation Orientation:	Vertical

### Shipping

Carton 1 L x W x H:	20" X 8" X 7"
Carton 1 Gross Weight:	7 LBS

### Shade

Shade 1 Material:	Wire Mesh
-------------------	-----------

### Available Finishes

Available Finishes: Textured Black (.97)

### General Listings

Certification:	C-UL-US
Color/Finish:	Textured Black (.97)
Dark Sky Friendly:	N