

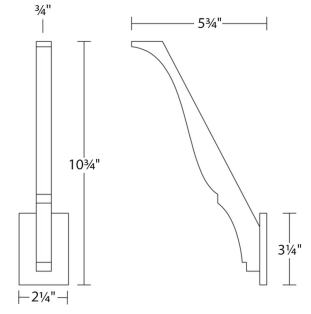
Project:

# Profili Chippendale LED Sconce Spec Sheet

SKU: 1716.98 Learn more at:  
<https://sonnemanlight.com/profil-chippendale-led-sconce>

Description: Imagined by Peter Polick as delicate slivers of classic architectural details, these minimal sections punctuate a space with a nod to the traditional characteristics of decorative ornamentation and a touch of Post-Modernism. LED illumination is reflected from the surface on which the fixture is perched. Also available as [Profili Sweep LED Sconce](#) and [Profili Chippendale LED Sconce](#).

Type #:



## Dimensions

Height:	10.25"
Width:	0.75"
Extends:	6"
Minimum Extension:	6"
Maximum Extension:	6"
Canopy/Backplate/Base Width:	2.25
Canopy/Backplate/Base Height:	3.25

## Electrical Specs

Bulb(s) Included?:	Yes
Bulb 1 Type:	Integral LED
Input Voltage:	120VAC
Wattage:	10
Initial Lumens:	840
Delivered Lumens:	570
Color Temperature:	3000K
CRI:	90
Power Supply Type:	Driver
Power Supply Quantity:	1
Power Supply Location:	Outlet Box
Dimming Type:	TRIAC/ELV
Bulb Max Wattage:	10

## Installation

Installation:	Licensed electrician required
Installation Orientation:	Vertical

## Shipping

Carton 1 L x W x H:	13" X 9" X 5"
Carton 1 Gross Weight:	2 LBS
Fixture Weight:	1

## Shade

Shade 1 Material:	Die-Cast Aluminum
-------------------	-------------------

## Available Finishes

Available Finishes: Textured White (.98)

## General Listings

Features:	Damp Rated
Certification:	C-ETL-US
Color/Finish:	Textured White (.98)
Dark Sky Friendly:	N