

PHOTON 34 CHANDELIER

PRODUCT FEATURES

- Playful starburst design can be installed in multiples at varying heights for a dramatic art installation
- High performance, energy efficient integrated LED light source with 3,000K Color Temp and 90 CRI
- Fully dimmable with most ELV dimmers to create just the right atmosphere
- Solid acrylic arms with aluminum core construction for beauty and durability
- Protected by a 5-year warranty. please go to www.techlighting.com for warranty details
- 10 ft. of cord included to adjust installation height. canopy finish matches fixture finish



Aged Brass



Aged Brass

Satin Nickel

LAMPING

LED includes (12) 2 watt, 23.5 total watts, 1897 total delivered lumens 90 CRI 3000K LED modules. Dimmable with most LED compatible ELV and TRIAC dimmers. 277V compatible with 0-10V dimmers. Includes 10 feet of field-cutable cable.

ORDERING INFORMATION

700PHT34	FINISH	LAMP
	R AGED BRASS	-LED930 INTEGRATED LED 90 CRI 3000K 120V
	S SATIN NICKEL	-LED930-277 INTEGRATED LED 90 CRI 3000K 277V

700PHT34 _____

JOB NAME _____

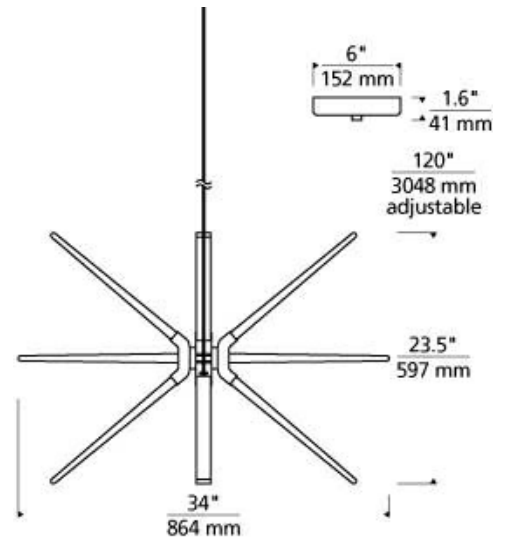
NOTES _____



PHOTON 34 CHANDELIER

SPECIFICATIONS

HARDWARE MATERIAL	Metal
SHADE MATERIAL	Acrylic
NET WEIGHT	9 lbs
HEIGHT	23.5in
WIDTH	34in
LENGTH	34in
UP LIGHT / DOWN LIGHT / BOTH?	
WET LISTED	
DAMP LISTED	Yes
DRY LISTED	
MIN. HANGING HEIGHT	43.1in
MAX HANGING HEIGHT	135.1in
TOTAL CORD LENGTH	120in
TOTAL STEM LENGTH	
STEM QTY	
SLOPED CEILING ADAPTABLE?	Yes 45° Max
GENERAL LISTING	ETL Listed
INCLUDES	



LAMPING SPECIFICATIONS

	LED LAMP	INTEGRATED LED	NON LED	NO LAMP
DELIVERED LUMENS		1897		
WATTS		2		
MAX WATTAGE PER BULB		23.5W		
INPUT VOLTAGE		120V 277V		
DIMMING TYPE*		ELV, TRIAC 0-10V		
CCT		3000K		
CRI		90 CRI		
LED LIFETIME		>50000		
L70				
AVERAGE BULB HOURS				
FIELD SERVICEABLE LED				
LAMP BASE		Integrated LED		
LAMP SHAPE		Integrated LED		
LAMP INCLUDED?		Y		
WARRANTY**		5 Years		

* Dimming information available at www.techlighting.com/Downloads#dimming

** Visit techlighting.com for specific warranty limitations and details.

T20 / T24 INFORMATION

	Integrated LED	Replacement LED Lamp	No Lamp *
This product can be used to comply with California Building Energy Efficiency Standards 2016 Title 24 Part 6.	No		
This product can be used to comply with California Appliance Efficiency Standards 2016 Title 20 and may be shipped to and sold in California.	N/A		

* If a light fixture or component does not include a lamp or light source, it is the responsibility of the customer to select a lamp that meets the T24 and T20 requirements.

