

## PRODUCT FEATURES

- Sophisticated and contemporary wall sconce design
- Features die-cast metal detailing for a sophisticated appeal Glass diffuser provides a smooth wash of light onto surrounding surfaces
- Available in a white acrylic diffuser
- Wet listed, IP65 (International Protection rating indicating resistance to dust and water; suitable
- White acrylic rectilinear shade emits a soft, even glow
- 5- year Warranty. Go to [www.techlighting.com](http://www.techlighting.com) for warranty details.



Frost White



Frost White

## LAMPING

Rated for two 40 watt max, mini candelabra base lamps (lamps not included). LED version supplied with 10 watt, 240 delivered lumens, 3000K LED module. Mounts up only. ADA compliant.

## ORDERING INFORMATION

700WSCOS	COLOR	FINISH	LAMP
	F FROST	C CHROME S SATIN NICKEL	-LED LED 90 CRI 3000K 120V (T24) -LED277 LED 80 CRI 3000K 277V

Acrylic not available with incandescent lamp.

700WSCOS \_\_\_\_\_

JOB NAME \_\_\_\_\_

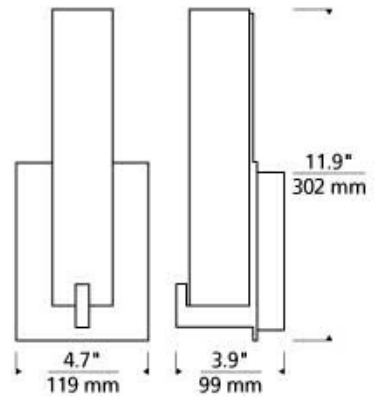
NOTES \_\_\_\_\_

\_\_\_\_\_



## SPECIFICATIONS

HARDWARE MATERIAL	Metal
SHADE MATERIAL	Acrylic
NET WEIGHT	3.5 lbs
HEIGHT	11.9in
WIDTH	3.9in
LENGTH	4.7in
MIN. EXTENSION FROM WALL	3.9in
UP LIGHT / DOWN LIGHT / BOTH?	
WET LISTED	
DAMP LISTED	
DRY LISTED	
UP / DOWN	
HORIZONTAL / VERTICAL	
WALL / CEILING MOUNT	
GENERAL LISTING	ETL Listed
ADA COMPLIANT	
INCLUDES	



## LAMPING SPECIFICATIONS

	LED LAMP	INTEGRATED LED	NON LED	NO LAMP
DELIVERED LUMENS	274			
WATTS	10			
MAX WATTAGE PER BULB	10W			
INPUT VOLTAGE	120V 277V			
DIMMING TYPE*	Frost : ELV, TRIAC Frost : 0-10V			
CCT	3000K			
CRI	80 CRI			
LED LIFETIME				
L70	50000			
AVERAGE BULB HOURS	50000			
FIELD SERVICEABLE LED				
LAMP BASE	Integrated LED			
LAMP SHAPE	Integrated LED			
LAMP INCLUDED?	Y			
WARRANTY**	5 Years			

\* Dimming information available at [www.techlighting.com/Downloads#dimming](http://www.techlighting.com/Downloads#dimming)

\*\* Visit [techlighting.com](http://techlighting.com) for specific warranty limitations and details.

## T20 / T24 INFORMATION

	Integrated LED	Replacement LED Lamp	No Lamp *
This product can be used to comply with California Building Energy Efficiency Standards 2016 <b>Title 24</b> Part 6.		Yes	
This product can be used to comply with California Appliance Efficiency Standards 2016 <b>Title 20</b> and may be shipped to and sold in California.		N/A	

\* If a light fixture or component does not include a lamp or light source, it is the responsibility of the customer to select a lamp that meets the T24 and T20 requirements.

