

PRODUCT FEATURES

- Simple design with the functionality of practical technology
- Double heads that rotate a full 360° and pivot 360° to direct light beam to the desired location
- Available in three on-trend finishes and can be customized to hang at five distinct stem lengths
- Ideal for commercial and residential lighting applications
- Complementary Monopoint or Monorail systems available by Tech Lighting
- Protected by a 5-year warranty



LAMPING

Integral louver lens holders can hold a single glass lens (sold separately) or an eggcrate louver (two included). Two low-voltage, MR16 lamps of up to 35 watts each (70 watt max) (not included). Dimmable with Low-Voltage electronic or magnetic dimmer (based on transformer).

Straight



Straight

With Eggcrate Louver

ORDERING INFORMATION

700	SYSTEM	ELT	LENGTH (A)	FINISH
	FJ FREEJACK		03 3"	Z ANTIQUE BRONZE
	MP MONOPOINT		06 6"	S SATIN NICKEL
	MO MONORAIL		12 12"	
	WMO WALL MONORAIL			

Note. MP includes 4" Round Flush Canopy. For custom stem lengths, please contact the Quotes Department.

700 _____ ELT _____

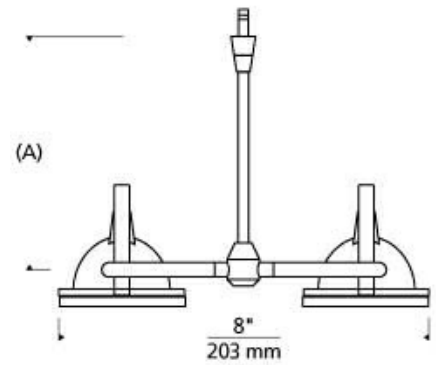
JOB NAME _____

NOTES _____



SPECIFICATIONS

HARDWARE MATERIAL	Metal
SHADE MATERIAL	
NET WEIGHT	0.5 lbs
HEIGHT	3in
WIDTH	4in
LENGTH	8in
BEAM SPREAD	
UP LIGHT / DOWN LIGHT / BOTH?	
WET LISTED	
DAMP LISTED	
DRY LISTED	
MIN. HANGING HEIGHT	3in
MAX HANGING HEIGHT	3in
TOTAL CORD LENGTH	
SLOPED CEILING ADAPTABLE?	No
GENERAL LISTING	ETL Listed
INCLUDES	



LAMPING SPECIFICATIONS

	LED LAMP	INTEGRATED LED	NON LED	NO LAMP
DELIVERED LUMENS				
WATTS				35
MAX WATTAGE PER BULB				70W
INPUT VOLTAGE				12V 120V
DIMMING TYPE*				ELV
CCT				
CRI				
LED LIFETIME				
L70				
AVERAGE BULB HOURS				
FIELD SERVICEABLE LED				
LAMP BASE				GU5.3
LAMP SHAPE				MR16
LAMP INCLUDED?				N
WARRANTY**				1 Year

* Dimming information available at www.techlighting.com/Downloads#dimming

** Visit techlighting.com for specific warranty limitations and details.

T20 / T24 INFORMATION

	Integrated LED	Replacement LED Lamp	No Lamp *
This product can be used to comply with California Building Energy Efficiency Standards 2016 Title 24 Part 6.			N/A
This product can be used to comply with California Appliance Efficiency Standards 2016 Title 20 and may be shipped to and sold in California.			N/A

* If a light fixture or component does not include a lamp or light source, it is the responsibility of the customer to select a lamp that meets the T24 and T20 requirements.

