

MELROSE II PENDANT

PRODUCT FEATURES

- Graceful design and cone shaped inner diffuser
- European artisanal crafted shade
- Available in three on-trend finishes
- Ideal for kitchen islands, bedrooms and home offices
- Fully dimmable lamping options to create the desired ambiance
- Protected by a 1-year warranty, please visit www.techlighting.com for details



LAMPING

Includes with 35 watt halogen bi-pin or 5.1 watt, 300 delivered lumen, 3000K, replaceable Tech Lighting LED module and six feet of field-cutttable cable. Dimmable with low-voltage electronic or magnetic dimmer (based on the transformer).

Smoke



Clear

Smoke

ORDERING INFORMATION

700	SYSTEM	MLP	COLOR	FINISH	LAMP
	FJ FREEJACK		C CLEAR	Z ANTIQUE BRONZE	12 VOLT HALOGEN (T20)
	MP MONOPOINT		K SMOKE	C CHROME	-24 24 VOLT HALOGEN
	MO MONORAIL			S SATIN NICKEL	-LEDS930 12 VOLT LED 90 CRI 3000K (T20/T24)
					-24 24 VOLT HALOGEN

Note: MP includes 4" Round Flush Canopy.
 Chrome not available on Monorail or Two-Circuit Monorail.

700 _____ MLP _____

JOB NAME _____

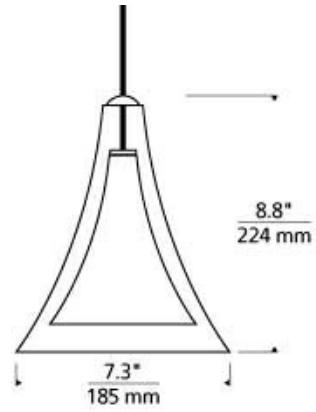
NOTES _____



MELROSE II PENDANT

SPECIFICATIONS

HARDWARE MATERIAL	Metal
SHADE MATERIAL	Glass
NET WEIGHT	1.09 lbs
HEIGHT	8.8in
WIDTH	7.3in
LENGTH	7.3in
UP LIGHT / DOWN LIGHT / BOTH?	
WET LISTED	
DAMP LISTED	
DRY LISTED	
MIN. HANGING HEIGHT	15.3in
MAX HANGING HEIGHT	81.3in
SLOPED CEILING ADAPTABLE?	Yes 45° Max
GENERAL LISTING	ETL Listed
INCLUDES	



LAMPING SPECIFICATIONS

	LED LAMP	INTEGRATED LED	NON LED	NO LAMP
DELIVERED LUMENS	300		500	
WATTS	5.1		50	
MAX WATTAGE PER BULB	50W		50W	
INPUT VOLTAGE	12V 120V		12V 120V	
DIMMING TYPE*	ELV		ELV	
CCT	3000K		3000K	
CRI	90 CRI		100 CRI	
LED LIFETIME				
L70	30000		2000	
AVERAGE BULB HOURS	30000		2000	
FIELD SERVICEABLE LED				
LAMP BASE	GY 6.35		GY 6.35	
LAMP SHAPE	T4		T4	
LAMP INCLUDED?	Y		Y	
WARRANTY**	1 Year		1 Year	

* Dimming information available at www.techlighting.com/Downloads#dimming

** Visit techlighting.com for specific warranty limitations and details.

T20 / T24 INFORMATION

	Integrated LED	Replacement LED Lamp	No Lamp *
This product can be used to comply with California Building Energy Efficiency Standards 2016 Title 24 Part 6.		Yes	
This product can be used to comply with California Appliance Efficiency Standards 2016 Title 20 and may be shipped to and sold in California.		Yes	

* If a light fixture or component does not include a lamp or light source, it is the responsibility of the customer to select a lamp that meets the T24 and T20 requirements.

