

MINI JASPER PENDANT

PRODUCT FEATURES

- Artisanally crafted by skilled glass blowing artisans
- Visually alluring slumped glass adds dimension and visual fun to any space
- Available in two contemporary glass colors
- Moderately scaled makes this fixture ideal for a wide range of commercial and residential applications
- Ideal for bedroom lighting, children's room lighting and kitchen island task lighting
- Protected by a 1-year warranty



Clear



Clear

LAMPING

Includes (1) 50 watt low-voltage GY6.35 base Xenon bi-pin lamp and 6 of field-cutttable suspension cable. For use with 24 volt transformer, add suffix "-24" to item number.

ORDERING INFORMATION

700	SYSTEM	JAS	COLOR	FINISH	LAMP
	FJ FREEJACK		C CLEAR	Z ANTIQUE BRONZE	12 VOLT XENON (T20)
	MP MONOPOINT			S SATIN NICKEL	-24 24 VOLT HALOGEN
	MO MONORAIL				

MP mount includes 4" Round Flush Canopy.

700 _____ JAS _____

JOB NAME _____

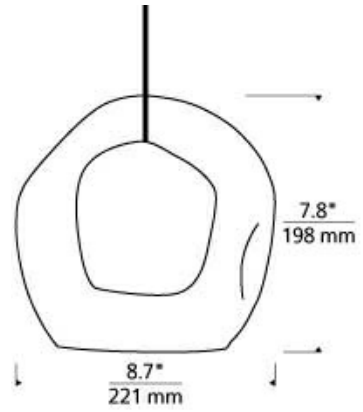
NOTES _____



MINI JASPER PENDANT

SPECIFICATIONS

HARDWARE MATERIAL	Metal
SHADE MATERIAL	
NET WEIGHT	5 lbs
HEIGHT	7.8in
WIDTH	8.7in
LENGTH	8.7in
UP LIGHT / DOWN LIGHT / BOTH?	
WET LISTED	
DAMP LISTED	
DRY LISTED	Yes
MIN. HANGING HEIGHT	14.3in
MAX HANGING HEIGHT	80.3in
SLOPED CEILING ADAPTABLE?	Yes 45° Max
GENERAL LISTING	ETL Listed
INCLUDES	



LAMPING SPECIFICATIONS

	LED LAMP	INTEGRATED LED	NON LED	NO LAMP
DELIVERED LUMENS			750	
WATTS			50	
MAX WATTAGE PER BULB			50W	
INPUT VOLTAGE			12V 120V	
DIMMING TYPE*			ELV	
CCT			3000K	
CRI			100 CRI	
LED LIFETIME				
L70			10000	
AVERAGE BULB HOURS			10000	
FIELD SERVICEABLE LED				
LAMP BASE			GY 6.35	
LAMP SHAPE			T4	
LAMP INCLUDED?			Y	
WARRANTY**			1 Year	

* Dimming information available at www.techlighting.com/Downloads#dimming

** Visit techlighting.com for specific warranty limitations and details.

T20 / T24 INFORMATION

	Integrated LED	Replacement LED Lamp	No Lamp *
This product can be used to comply with California Building Energy Efficiency Standards 2016 Title 24 Part 6.			
This product can be used to comply with California Appliance Efficiency Standards 2016 Title 20 and may be shipped to and sold in California.			

* If a light fixture or component does not include a lamp or light source, it is the responsibility of the customer to select a lamp that meets the T24 and T20 requirements.

