

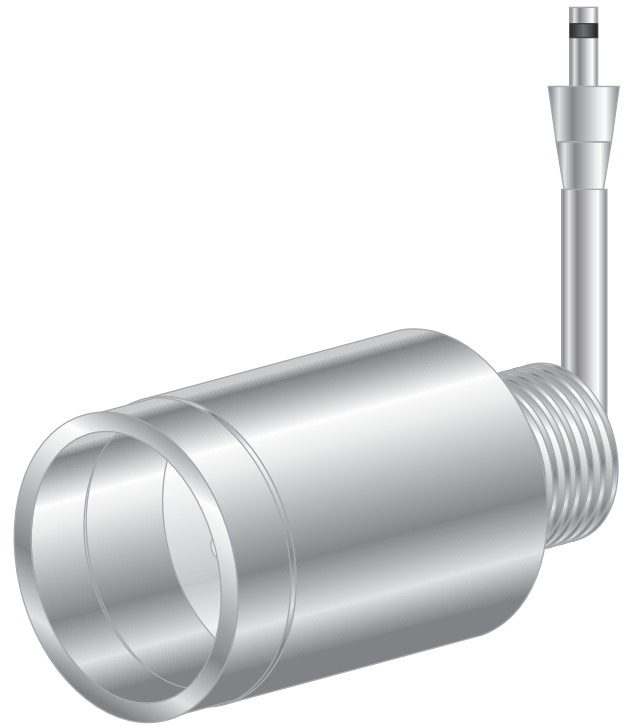


GENERAL PRODUCT INFORMATION:

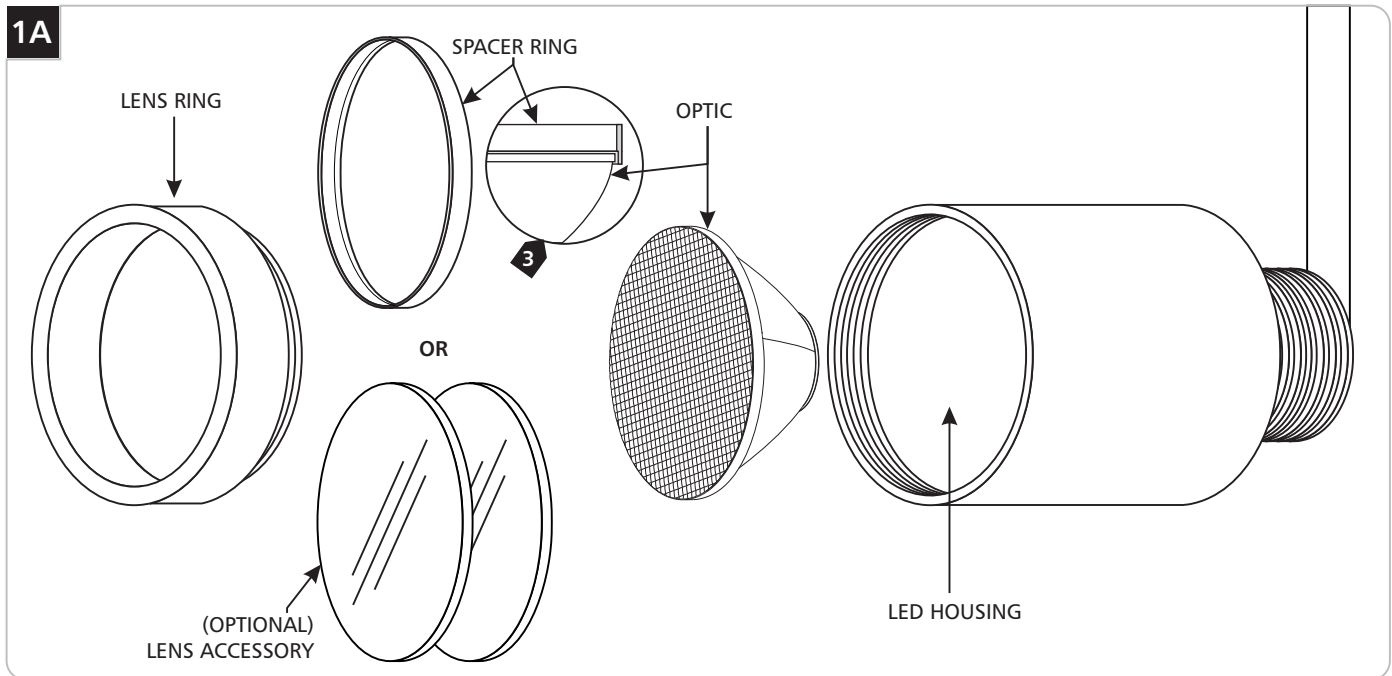


This product is ETL listed and suitable only for indoor dry locations and approved for use at any height above the finished floor.

CAUTION: To reduce the risk of a burn or electric shock during accessory installation, disconnect the power to the fixture.



Optics and Lenses (Optional)



- 1 Unscrew and remove the lens ring.
- 2 If installing an optional lens remove the spacer ring and discard, then rest the lenses inside the lens ring. (2 lenses maximum). **WARNING: Only use the spacer if not using lenses this may otherwise result in damage to the fixture and/or injury.**
- 3 If installing the optic (replacement or existing) place the optic inside the LED housing ensuring it seats into the spacer ring properly(as seen in the illustration). **WARNING: ensure that the optic is seated and aligned properly to avoid damage to the LED when installing the lens ring.**
- 4 Gently screw the lens ring back on. **WARNING: The lens ring must be tightened less than snug. Stop tightening the moment any resistance is felt. The cover will not sit flush to the base when using lenses. Do not try to force the cover to become flush.**

SAVE THESE INSTRUCTIONS!



7400 Linder Ave, Skokie, IL 60077
847.410.4400

www.techlighting.com

© 2018 Tech Lighting, L.L.C. All rights reserved. The "Tech Lighting" graphic is a registered trademark of Tech Lighting, L.L.C. Tech Lighting reserves the right to change specifications for product improvements without notification.
A Generation Brands Company