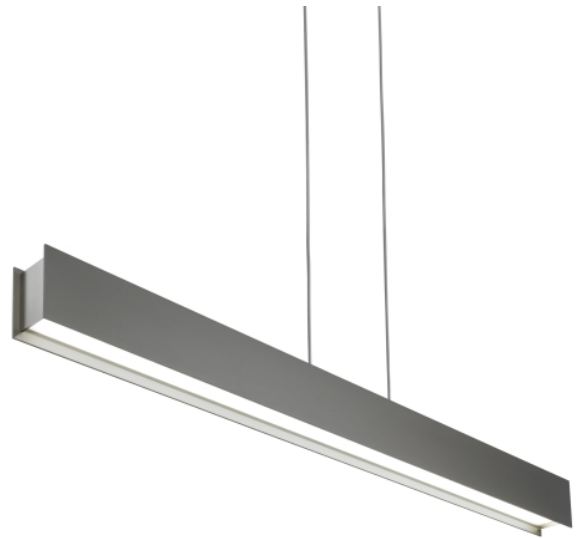


# VANDOR LINEAR SUSPENSION

## PRODUCT FEATURES

- Features parallel planes of cold rolled steel coated in a matt rubberized paint
- Recessed LED distributes a significant punch of task lighting
- Optional Mechanical Connector for a longer run of light
- Ships with an energy efficient integrated LED lamp
- Fully dimmable integrated LED lamping creates the desired ambiance
- Protected by a 5-year warranty



## LAMPING

Includes 49 watts, 3020 delivered lumen, 3000K LED strip. Dimmable with low-voltage electronic dimmer. Ships with twelve feet of matching cloth cord.



## ORDERING INFORMATION

700LSVAN	COLOR	FINISH	LAMP
	Y GRAY RUBBERIZED	S SATIN NICKEL	-LED830 LED 80 CRI 3000K 120V
	W WHITE RUBBERIZED		-LED830-277 LED 80 CRI 3000K 277V

700LSVAN \_\_\_\_\_

JOB NAME \_\_\_\_\_

NOTES \_\_\_\_\_

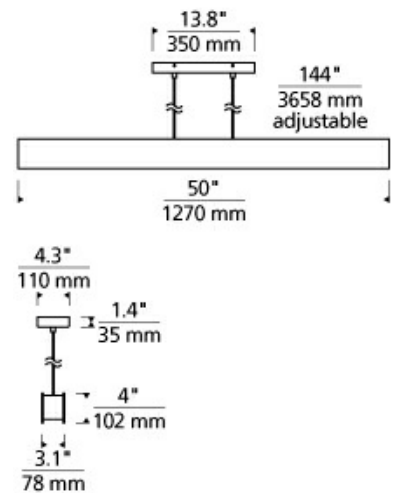
\_\_\_\_\_



# VANDOR LINEAR SUSPENSION

## SPECIFICATIONS

HARDWARE MATERIAL	Metal
SHADE MATERIAL	
NET WEIGHT	8 lbs
HEIGHT	4in
WIDTH	3.1in
LENGTH	50in
UP LIGHT / DOWN LIGHT / BOTH?	
WET LISTED	
DAMP LISTED	Yes
DRY LISTED	
MIN. HANGING HEIGHT	11.4in
MAX HANGING HEIGHT	77.4in
TOTAL CORD LENGTH	144in
TOTAL STEM LENGTH	
STEM QTY	
SLOPED CEILING ADAPTABLE?	
GENERAL LISTING	
INCLUDES	



## LAMPING SPECIFICATIONS

	LED LAMP	INTEGRATED LED	NON LED	NO LAMP
DELIVERED LUMENS		3020		
WATTS		49		
MAX WATTAGE PER BULB		49W		
INPUT VOLTAGE		120V 277V		
DIMMING TYPE*		White Rubberized, Gray Rubberized : ELV, TRIAC White Rubberized, Gray Rubberized : 0-10V		
CCT		3000K		
CRI		80 CRI		
LED LIFETIME				
L70				
AVERAGE BULB HOURS		50000		
FIELD SERVICEABLE LED				
LAMP BASE		Integrated LED		
LAMP SHAPE		T3		
LAMP INCLUDED?		Y		
WARRANTY**		5 Years		

\*Dimming information available at [www.techlighting.com/Downloads#dimming](http://www.techlighting.com/Downloads#dimming)

\*\* Visit [techlighting.com](http://techlighting.com) for specific warranty limitations and details.

## T20 / T24 INFORMATION

	Integrated LED	Replacement LED Lamp	No Lamp *
This product can be used to comply with California Building Energy Efficiency Standards 2016 Title 24 Part 6.	No		
This product can be used to comply with California Appliance Efficiency Standards 2016 Title 20 and may be shipped to and sold in California.	N/A		

\* If a light fixture or component does not include a lamp or light source, it is the responsibility of the customer to select a lamp that meets the T24 and T20 requirements.

