

LOUVER MEDIUM TABLE

SLTB26627

General Product Information



LISTED



TABLE LAMP



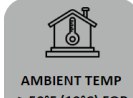
INDOOR USE



CLEAN WITH SOFT DRY CLOTH ONLY - NO HARSH CHEMICALS!



DRY LOCATION



AMBIENT TEMP
≥ 50°F (10°C) FOR
TAPE ADHERENCE



POLARIZED PLUG

Safety Information

SAVE THESE INSTRUCTIONS!

CAUTION-RISK OF FIRE

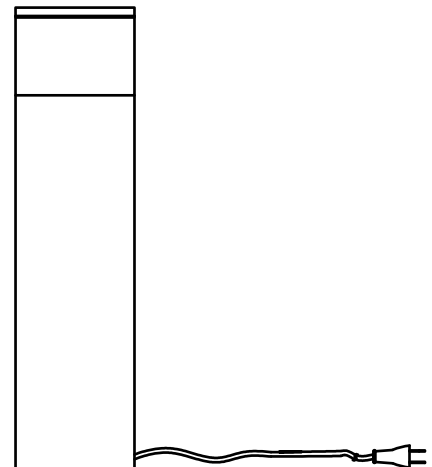
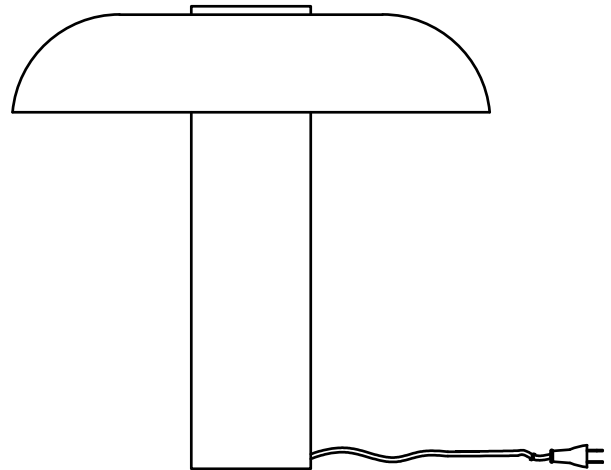
This product must be installed in accordance with the applicable installation code by a person familiar with the construction and operation of the product and the hazards involved.

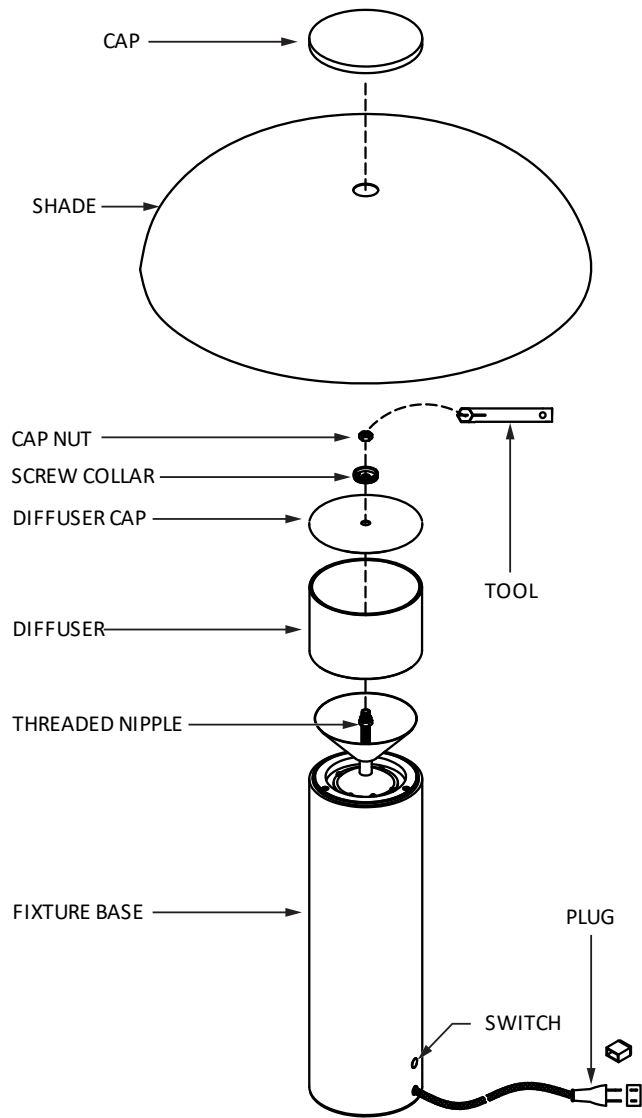
USE MINIMUM 90°C SUPPLY CONDUCTORS.



Turn off electrical current at the source before working with any lighting fixture or portable lamp.

Install and use this product in adherence with local electrical codes and regulations.





INSTRUCTIONS

1. Unscrew the screw collar and the cap nut using the tool (included).
2. Slide the diffuser and diffuser cap onto the fixture base.
3. Reinstall the screw collar and the cap nut, using the tool to tighten the cap nut.
4. Optional: Place the shade onto the fixture, aligning the hole with the screw collar.
5. Install the cap by screwing it onto the screw collar.
6. Plug in the lamp.
7. Use the switch to turn the fixture on or off, and to change dimming levels.