

SOSPESO X-LARGE PENDANT

VISUAL COMFORT & CO.

PRODUCT FEATURES

- Sospeso brings refined charm to its vintage industrial silhouette
- Available in modern finishes
- The LED Driver is housed within the junction box for this product
- Ships with (4) 12" and (2) 6" rigid stems in coordinating finish
- Protected by a 5-year warranty

LAMPING

Includes 12 watts, 562 total delivered lumens, 2700K LED module. Dimmable with most LED compatible ELV, Triac and 0-10V dimmers. Ships with (4) 12" and (2) 6" rigid stems in coordinating finish. Can be installed on a sloped ceiling up to 20°. 120V-277V.



Natural Brass



Natural Brass

Polished Nickel

Dark Bronze

ORDERING INFORMATION

SLPD267	COLOR TEMP	FINISH
	27 2700K	BZ DARK BRONZE NB NATURAL BRASS N POLISHED NICKEL

SLPD267 _____

JOB NAME _____

NOTES _____

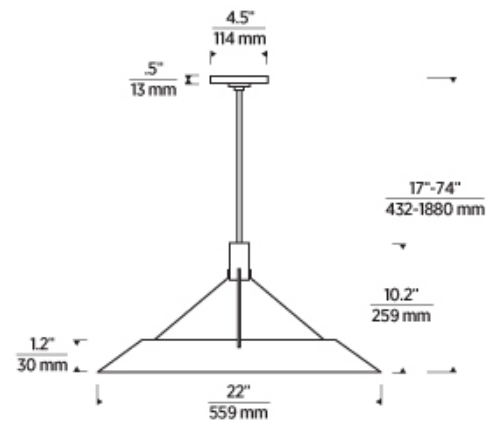


SOSPESO X-LARGE PENDANT

VISUAL COMFORT & Co.

SPECIFICATIONS

PRIMARY MATERIAL	Aluminum or Brass
SHADE MATERIAL	Aluminum or Brass
NET WEIGHT	9 lbs
HEIGHT	10.1in
WIDTH	22in
LENGTH	22in
UP LIGHT / DOWN LIGHT / BOTH?	
WET LISTED	
DAMP LISTED	
DRY LISTED	
MIN. HANGING HEIGHT	17in
MAX HANGING HEIGHT	74in
TOTAL CORD LENGTH	
TOTAL STEM LENGTH	Up to 60in
STEM QTY	6
SLOPED CEILING ADAPTABLE?	Yes 20° Max
GENERAL LISTING	ETL Listed
INCLUDES	



LAMPING SPECIFICATIONS

	LED LAMP	INTEGRATED LED	NON LED	NO LAMP
DELIVERED LUMENS		562		
WATTS		12		
MAX WATTAGE PER BULB		12W		
		Universal 120V-277V 0-10, ELV, TRIAC		
CCT		2700K		
CRI		90 CRI		
LED LIFETIME		>50000		
L70				
AVERAGE BULB HOURS				
FIELD SERVICEABLE LED				
LAMP BASE		Integrated LED		
LAMP SHAPE		Integrated LED		
LAMP INCLUDED?		True		
WARRANTY**		5 Years		

* Dimming information available at www.techlighting.com/Downloads#dimming

** Visit techlighting.com for specific warranty limitations and details.

T20 / T24 / JA8 INFORMATION

	Integrated LED	Replacement LED Lamp	No Lamp *
This product can be used to comply with California Building Energy Efficiency Standards 2016 Title 24 Part 6 / JA8.	Yes		
This product can be used to comply with California Appliance Efficiency Standards 2016 Title 20 and may be shipped to and sold in California.			

* If a light fixture or component does not include a lamp or light source, it is the responsibility of the customer to select a lamp that meets the T24 and T20 requirements.

