

BRUMMEL GRANDE PENDANT

PRODUCT FEATURES

- Mid-century modern design with sharp lines contemporary styling
- Spun metal lamp shade
- Complementary Brummel Grande also available from Tech Lighting
- Fully dimmable halogen or LED lamping to create the desired ambiance
- Ships with halogen or LED lamping included saving you time and money
- Protected by a 5-year warranty



LAMPING

Rated for (1) 60 watt max E26 medium base lamp (Lamp Not Included). LED version includes 19 watt, 429 delivered lumen, 2700K, medium base LED A21 lamp. Dimmable with most LED compatible ELV and TRIAC dimmers. Fixture provided with six feet of field-cuttable satin cable.

Charcoal Gray



Charcoal Gray

White

ORDERING INFORMATION

| 700 | SYSTEM | BMLGP | COLOR | FINISH | LAMP |
|-----|-------------------------------------|-------|----------------------------------|--------------------------------------|--|
| | TD LINE-VOLTAGE PENDANTS/SUSPENSION | | Y CHARCOAL GRAY W MATTE WHITE | B BLACK S SATIN NICKEL W WHITE | NO LAMP -LED927 LED 90 CRI 2700K 120V (T20/T24) |

700 _____ BMLGP _____

JOB NAME _____

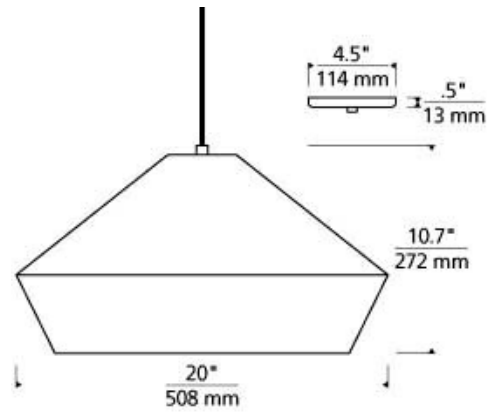
NOTES _____



BRUMMEL GRANDE PENDANT

SPECIFICATIONS

| | |
|-------------------------------|---------|
| HARDWARE MATERIAL | Metal |
| SHADE MATERIAL | Metal |
| NET WEIGHT | 2.5 lbs |
| HEIGHT | 10.7in |
| WIDTH | 20in |
| LENGTH | 20in |
| UP LIGHT / DOWN LIGHT / BOTH? | |
| WET LISTED | |
| DAMP LISTED | Yes |
| DRY LISTED | |
| MIN. HANGING HEIGHT | 17.2in |
| MAX HANGING HEIGHT | 83.2in |
| TOTAL CORD LENGTH | 72in |
| TOTAL STEM LENGTH | |
| STEM QTY | |
| SLOPED CEILING ADAPTABLE? | |
| GENERAL LISTING | |
| INCLUDES | |



LAMPING SPECIFICATIONS

| | LED LAMP | INTEGRATED LED | NON LED | NO LAMP |
|-----------------------|-----------------|----------------|-----------------|---------|
| DELIVERED LUMENS | 429 | | | |
| WATTS | 19 | | | |
| MAX WATTAGE PER BULB | 60W | | 60W | |
| INPUT VOLTAGE | 120V | | 120V | |
| DIMMING TYPE* | ELV, TRIAC | | ELV, TRIAC | |
| CCT | 2700K | | | |
| CRI | 90 CRI | | | |
| LED LIFETIME | | | | |
| L70 | | | | |
| AVERAGE BULB HOURS | 25000 | | | |
| FIELD SERVICEABLE LED | | | | |
| LAMP BASE | E26 Medium Base | | E26 Medium Base | |
| LAMP SHAPE | T6 | | T6 | |
| LAMP INCLUDED? | Y | | Y | |
| WARRANTY** | 1 Year | | 1 Year | |

* Dimming information available at www.techlighting.com/Downloads#dimming

** Visit techlighting.com for specific warranty limitations and details.

T20 / T24 INFORMATION

| | Integrated LED | Replacement LED Lamp | No Lamp * |
|--|----------------|----------------------|-----------|
| This product can be used to comply with California Building Energy Efficiency Standards 2016 Title 24 Part 6. | | Yes | N/A |
| This product can be used to comply with California Appliance Efficiency Standards 2016 Title 20 and may be shipped to and sold in California. | | Yes | N/A |

* If a light fixture or component does not include a lamp or light source, it is the responsibility of the customer to select a lamp that meets the T24 and T20 requirements.

