

# LOFT GRANDE PENDANT

## PRODUCT FEATURES

- This stylized and elevated interpretation of industrial high bay lighting features rubberized paint on ribbed spun metal
- Industrial finish options with contrasting modern cage options
- Incandescent version dimmable with a standard incandescent dimmer. LED version dimmable with an LED compatible dimmer.
- Includes 6' of field-cuttable cloth cord.
- The Loft Grande Pendant are great for function and design in any industrial space, also available in a smaller size
- Protected by a 1-year warranty



Rubberized Black  
Black Cage

## LAMPING

Rated for (3) 75 watt E26 medium base lamps (Not included). LED includes (3) 120 volt 9.5 watt, 1461.2 delivered lumens 90 CRI 2700K LED A19 lamps. Dimmable with most LED compatible ELV and TRIAC dimmers. Brushed Aluminum includes 6 feet of black/white field-cuttable cloth cord. Rubberized Black includes 6 feet of field-cuttable black cloth cord. Rubberized White includes 6 feet field-cuttable black/white cloth cord.



Brushed Aluminum  
Black Cage

Rubberized Black  
Black Cage

Brushed Aluminum  
Copper Cage

Rubberized Black  
Copper Cage

## ORDERING INFORMATION

700	SYSTEM	LOFGP	COLOR	CAGE COLOR	LAMP
	TD LINE-VOLTAGE PENDANTS/SUSPENSION		AW BRUSHED ALUMINUM W/ WHITE INTERIOR	B BLACK P COPPER NO CAGE W WHITE	NO LAMP A19 LED 90 CRI 2700K 120V LED927 (T20/T24)
			BW RUBBERIZED BLACK W/ WHITE INTERIOR		

700 \_\_\_\_\_ LOFGP \_\_\_\_\_

JOB NAME \_\_\_\_\_

NOTES \_\_\_\_\_  
 \_\_\_\_\_  
 \_\_\_\_\_

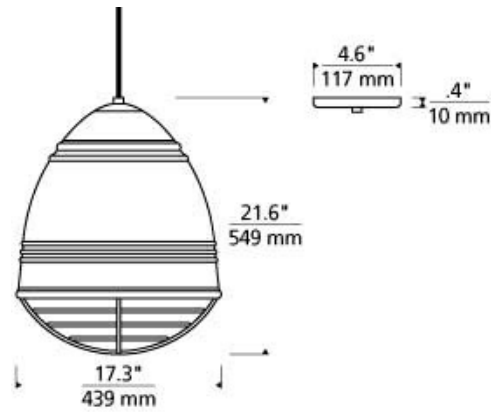


# LOFT GRANDE PENDANT

## SPECIFICATIONS

### HARDWARE MATERIAL

SHADE MATERIAL	Aluminum
NET WEIGHT	6 lbs
HEIGHT	16.6in
WIDTH	17.3in
LENGTH	17.3in
UP LIGHT / DOWN LIGHT / BOTH?	
WET LISTED	
DAMP LISTED	Yes
DRY LISTED	
MIN. HANGING HEIGHT	23.1in
MAX HANGING HEIGHT	89.1in
TOTAL CORD LENGTH	72in
TOTAL STEM LENGTH	
STEM QTY	
SLOPED CEILING ADAPTABLE?	Yes 45° Max
GENERAL LISTING	ETL Listed
INCLUDES	



## LAMPING SPECIFICATIONS

	LED LAMP	INTEGRATED LED	NON LED	NO LAMP
DELIVERED LUMENS	14612			
WATTS	9.5			
MAX WATTAGE PER BULB	225W			225W
INPUT VOLTAGE	120V			120V
DIMMING TYPE*	ELV, TRIAC			ELV, TRIAC
CCT	2700K			
CRI	90 CRI			
LED LIFETIME				
L70	25000			
AVERAGE BULB HOURS	25000			
FIELD SERVICEABLE LED				
LAMP BASE	E26 Medium Base			E26 Medium Base
LAMP SHAPE	T6			T6
LAMP INCLUDED?	Y			N
WARRANTY**	1 Year			1 Year

\* Dimming information available at [www.techlighting.com/Downloads#dimming](http://www.techlighting.com/Downloads#dimming)

\*\* Visit [techlighting.com](http://techlighting.com) for specific warranty limitations and details.

## T20 / T24 INFORMATION

	Integrated LED	Replacement LED Lamp	No Lamp *
This product can be used to comply with California Building Energy Efficiency Standards 2016 Title 24 Part 6.		Yes	N/A
This product can be used to comply with California Appliance Efficiency Standards 2016 Title 20 and may be shipped to and sold in California.		Yes	N/A

\* If a light fixture or component does not include a lamp or light source, it is the responsibility of the customer to select a lamp that meets the T24 and T20 requirements.

