

OKO 3-LIGHT BATH

PRODUCT FEATURES

- Charming contemporary yet whimsical design style
- White acrylic lenses allowing for abundant amounts of light wash
- Complementary wall sconce, 3-Light and 4-Light bath vanity
- Fully dimmable integrated LED lamp
- Available in two on-trend finishes, Satin Nickel and Aged Brass
- 5 year warranty with LED lamping option, visit techlighting.com for more warranty details



LAMPING

Includes 120 volt 35 watt, 2571 delivered lumens, 3000K LED module.
Dimmable with a low-voltage electronic dimmer.

Aged Brass



Aged Brass

Satin Nickel

ORDERING INFORMATION

700BCOKO	SHAPE OR SIZE	FINISH	LAMP
	3 3 LIGHT	R AGED BRASS S SATIN NICKEL	-LED930 LED 90 CRI 3000K 120V -LED930-277 LED 90 CRI 3000K 277V

700BCOKO _____

JOB NAME _____

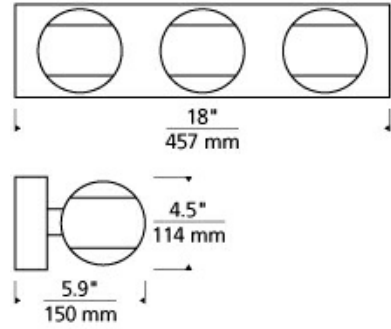
NOTES _____



OKO 3-LIGHT BATH

SPECIFICATIONS

HARDWARE MATERIAL	Metal
SHADE MATERIAL	Steel
NET WEIGHT	4.5 lbs
HEIGHT	4.5in
WIDTH	5.9in
LENGTH	18in
WET LISTED	
DAMP LISTED	Yes
DRY LISTED	
GENERAL LISTING	ETL Listed
INCLUDES	



LAMPING SPECIFICATIONS

	LED LAMP	INTEGRATED LED	NON LED	NO LAMP
DELIVERED LUMENS		857		
WATTS		6.5		
MAX WATTAGE PER BULB		31W		
INPUT VOLTAGE		120V 277V		
DIMMING TYPE*		ELV		
CCT		3000K		
CRI		90 CRI		
LED LIFETIME				
L70				
AVERAGE BULB HOURS		30000		
FIELD SERVICEABLE LED				
LAMP BASE		Integrated LED		
LAMP SHAPE		Integrated LED		
LAMP INCLUDED?		Y		
WARRANTY**		5 Years		

* Dimming information available at www.techlighting.com/Downloads#dimming

** Visit techlighting.com for specific warranty limitations and details.

T20 / T24 INFORMATION

	Integrated LED	Replacement LED Lamp	No Lamp *
This product can be used to comply with California Building Energy Efficiency Standards 2016 Title 24 Part 6.	Yes		
This product can be used to comply with California Appliance Efficiency Standards 2016 Title 20 and may be shipped to and sold in California.	N/A		

* If a light fixture or component does not include a lamp or light source, it is the responsibility of the customer to select a lamp that meets the T24 and T20 requirements.

