

SIGNAL PENDANT

PRODUCT FEATURES

- Inspired by 1940s vintage automobiles through hand-painted rubberized finishes
- Unique finish-combinations create a collection of eye-capturing light fixture
- LED version dimmable with an LED compatible dimmer
- A great design element in your office, kitchen and common areas of commercial space
- Includes 12 feet of field-cuttable black/white cloth cord
- Protected by a 1-year warranty



Rubberized Gray/Platinum

LAMPING

Includes 6' of field-cuttable black/white cloth cord. No lamp rated for (1) 75 watt max. E26 medium base lamp (Lamp Not Included). LED includes (1) E26 medium base 10 watt 90 CRI 2700K LED A19 lamp. Dimmable with most LED compatible ELV and TRIAC dimmers.



To view all available finish options, please visit techlighting.com

ORDERING INFORMATION

| 700 | SYSTEM | SIG | COLOR | LAMP |
|-----|-------------------------------------|-----|---------------------------|---|
| | TD LINE-VOLTAGE PENDANTS/SUSPENSION | YU | RUBBERIZED GRAY/BLUE | NO LAMP |
| | | YP | RUBBERIZED GRAY/COPPER | -LED927 A19 LED 90 CRI 2700K 120V (T20/T24) |
| | | YG | RUBBERIZED GRAY/GOLD | |
| | | YL | RUBBERIZED GRAY/PLATINUM | |
| | | WU | RUBBERIZED WHITE/BLUE | |
| | | WP | RUBBERIZED WHITE/COPPER | |
| | | WG | RUBBERIZED WHITE/GOLD | |
| | | WL | RUBBERIZED WHITE/PLATINUM | |

700 _____ SIG _____

JOB NAME _____

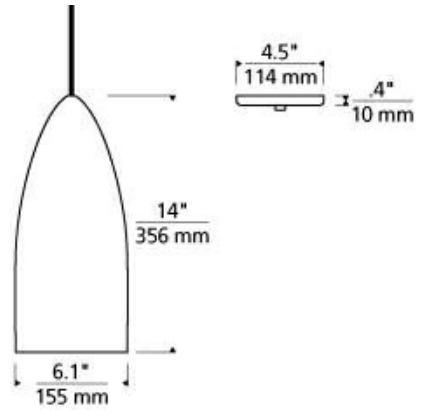
NOTES _____



SIGNAL PENDANT

SPECIFICATIONS

| | |
|-------------------------------|------------|
| HARDWARE MATERIAL | Metal |
| SHADE MATERIAL | Metal |
| NET WEIGHT | 1.5 lbs |
| HEIGHT | 14in |
| WIDTH | 6.1in |
| LENGTH | 6.1in |
| UP LIGHT / DOWN LIGHT / BOTH? | |
| WET LISTED | |
| DAMP LISTED | Yes |
| DRY LISTED | |
| MIN. HANGING HEIGHT | 20.5in |
| MAX HANGING HEIGHT | 86.5in |
| TOTAL CORD LENGTH | 72in |
| TOTAL STEM LENGTH | |
| STEM QTY | |
| SLOPED CEILING ADAPTABLE? | Yes |
| GENERAL LISTING | ETL Listed |
| INCLUDES | |



LAMPING SPECIFICATIONS

| | LED LAMP | INTEGRATED LED | NON LED | NO LAMP |
|-----------------------|-----------------|----------------|---------|-----------------|
| DELIVERED LUMENS | 800 | | | |
| WATTS | 10 | | | |
| MAX WATTAGE PER BULB | 75W | | | 75W |
| INPUT VOLTAGE | 120V | | | 120V |
| DIMMING TYPE* | ELV, TRIAC | | | ELV, TRIAC |
| CCT | 2700K | | | |
| CRI | 90 CRI | | | |
| LED LIFETIME | | | | |
| L70 | | | | |
| AVERAGE BULB HOURS | 25000 | | | |
| FIELD SERVICEABLE LED | | | | |
| LAMP BASE | E26 Medium Base | | | E26 Medium Base |
| LAMP SHAPE | T6 | | | T6 |
| LAMP INCLUDED? | Y | | | N |
| WARRANTY** | 1 Year | | | 1 Year |

* Dimming information available at www.techlighting.com/Downloads#dimming

** Visit techlighting.com for specific warranty limitations and details.

T20 / T24 INFORMATION

| | Integrated LED | Replacement LED Lamp | No Lamp * |
|--|----------------|----------------------|-----------|
| This product can be used to comply with California Building Energy Efficiency Standards 2016 Title 24 Part 6. | | Yes | N/A |
| This product can be used to comply with California Appliance Efficiency Standards 2016 Title 20 and may be shipped to and sold in California. | | Yes | N/A |

* If a light fixture or component does not include a lamp or light source, it is the responsibility of the customer to select a lamp that meets the T24 and T20 requirements.

