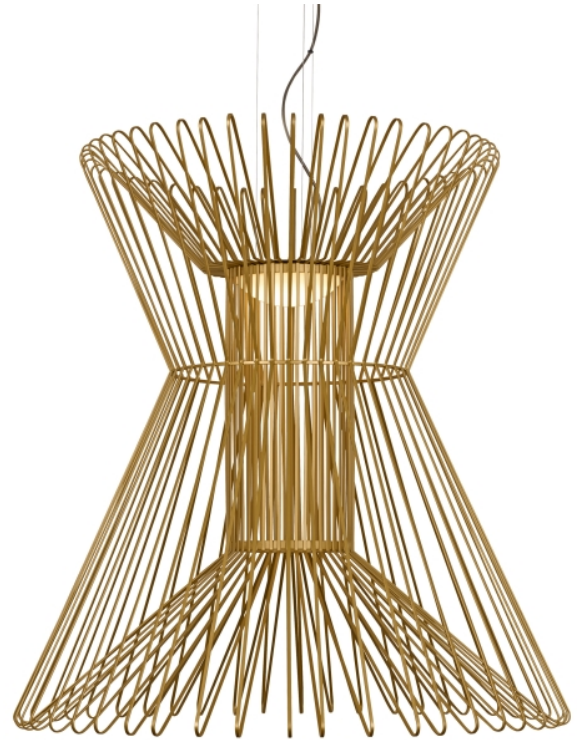


SYRMA GRANDE SUSPENSION

PRODUCT FEATURES

- Striking modern style hand assembled from dozens of machined metal rods
- Large scale with functional light output to make an impressive statement within your space
- Available in two sizes – a sizable 19" height and an oversized 38" height for dramatic impact.
- On-trend finish options like Satin Gold and Matte Black
- Fully dimmable, high quality integrated LED lamping with glare-free light diffusion
- Protected by a 5-year warranty, please visit www.techlighting.com for details



Satin Gold

LAMPING

Includes 17.4 watt, 461.3 total delivered lumen, 3000K LED module. Dimmable with ELV, Triac and 0-10v 120-277V universal driver. Matte Black finish provided with twelve feet of field-cuttable black cloth cord. Satin Gold finish ships with twelve feet of field-cuttable cord.



Matte Black

Satin Gold

ORDERING INFORMATION

700	SYSTEM	SYRGP	COLOR	LAMP
	TD LINE-VOLTAGE PENDANTS/SUSPENSION		B MATTE BLACK G SATIN GOLD	-LED930 LED 90 CRI 3000K 120V-270V UNV -LED930 LED 90 CRI 3000K 120V-277V UNV

700 _____ SYRGP _____

JOB NAME _____

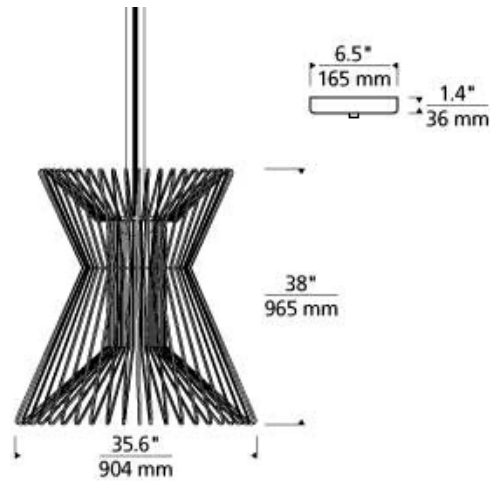
NOTES _____



SYRMA GRANDE SUSPENSION

SPECIFICATIONS

HARDWARE MATERIAL	Metal
SHADE MATERIAL	Metal
NET WEIGHT	38 lbs
HEIGHT	38in
WIDTH	35.6in
LENGTH	35.6in
UP LIGHT / DOWN LIGHT / BOTH?	
WET LISTED	
DAMP LISTED	Yes
DRY LISTED	
MIN. HANGING HEIGHT	45.4in
MAX HANGING HEIGHT	183.4in
TOTAL CORD LENGTH	144in
TOTAL STEM LENGTH	
STEM QTY	
SLOPED CEILING ADAPTABLE?	Yes 45° Max
GENERAL LISTING	ETL Listed
INCLUDES	



LAMPING SPECIFICATIONS

	LED LAMP	INTEGRATED LED	NON LED	NO LAMP
DELIVERED LUMENS		4613		
WATTS		17.4		
MAX WATTAGE PER BULB		17.4W		
INPUT VOLTAGE		Universal 120V-277V		
DIMMING TYPE*		0-10, ELV, TRIAC		
CCT		3000K		
CRI		90 CRI		
LED LIFETIME				
L70		>50000		
AVERAGE BULB HOURS				
FIELD SERVICEABLE LED				
LAMP BASE		Integrated LED		
LAMP SHAPE		Integrated LED		
LAMP INCLUDED?		Y		
WARRANTY**		5 Years		

*Dimming information available at www.techlighting.com/Downloads#dimming

** Visit techlighting.com for specific warranty limitations and details.

T20 / T24 INFORMATION

	Integrated LED	Replacement LED Lamp	No Lamp *
This product can be used to comply with California Building Energy Efficiency Standards 2016 Title 24 Part 6.	No		
This product can be used to comply with California Appliance Efficiency Standards 2016 Title 20 and may be shipped to and sold in California.	N/A		

* If a light fixture or component does not include a lamp or light source, it is the responsibility of the customer to select a lamp that meets the T24 and T20 requirements.

