

SYRMA PENDANT

PRODUCT FEATURES

- Striking modern style hand assembled from dozens of machined metal rods
- Large scale with functional light output to make an impressive statement within your space
- Available in two sizes – a sizable 19" height and an oversized 38" height for dramatic impact.
- On-trend finish options like Satin Gold and Matte Black
- Fully dimmable, high quality integrated LED lamping with glare-free light diffusion
- Protected by a 5-year warranty, please visit www.techlighting.com for details



Matte Black

LAMPING

Includes 17 watt, 461.3 total delivered lumen, 3000K LED module. Dimmable with low-voltage electronic or 0-10v 120-277V universal dimmer. Matte Black finish provided with twelve feet of field-cuttable black cloth cord. Satin Gold finish ships with twelve feet of field-cuttable cord.



Matte Black

Satin Gold

ORDERING INFORMATION

| 700 | SYSTEM | SYRP | COLOR | LAMP |
|-----|-------------------------------------|------|-------------------------------|-------------------------------|
| | TD LINE-VOLTAGE PENDANTS/SUSPENSION | | B MATTE BLACK G SATIN GOLD | -LED930 LED 90 CRI 3000K 120V |

700 _____ SYRP _____

JOB NAME _____

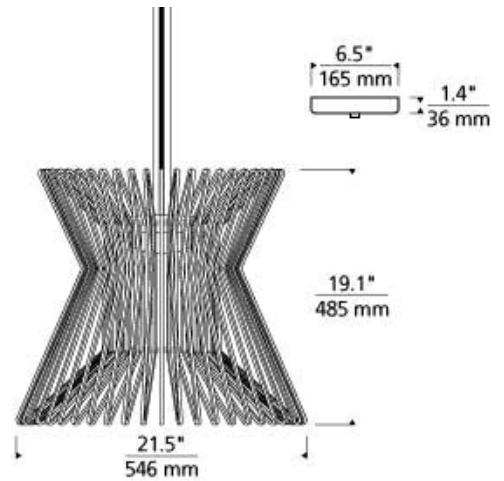
NOTES _____



SYRMA PENDANT

SPECIFICATIONS

| | |
|-------------------------------|----------|
| HARDWARE MATERIAL | Metal |
| SHADE MATERIAL | Metal |
| NET WEIGHT | 18.3 lbs |
| HEIGHT | 19.1in |
| WIDTH | 21.5in |
| LENGTH | 21.5in |
| UP LIGHT / DOWN LIGHT / BOTH? | |
| WET LISTED | |
| DAMP LISTED | Yes |
| DRY LISTED | |
| MIN. HANGING HEIGHT | 25.1in |
| MAX HANGING HEIGHT | 163.1in |
| TOTAL CORD LENGTH | 144in |
| TOTAL STEM LENGTH | |
| STEM QTY | |
| SLOPED CEILING ADAPTABLE? | |
| GENERAL LISTING | |
| INCLUDES | |



LAMPING SPECIFICATIONS

| | LED LAMP | INTEGRATED LED | NON LED | NO LAMP |
|-----------------------|----------|------------------|---------|---------|
| DELIVERED LUMENS | | 881 | | |
| WATTS | | 17 | | |
| MAX WATTAGE PER BULB | | 17W | | |
| INPUT VOLTAGE | | 120V | | |
| DIMMING TYPE* | | 0-10, ELV, TRIAC | | |
| CCT | | 3000K | | |
| CRI | | 90 CRI | | |
| LED LIFETIME | | | | |
| L70 | | | | |
| AVERAGE BULB HOURS | | 50000 | | |
| FIELD SERVICEABLE LED | | | | |
| LAMP BASE | | Integrated LED | | |
| LAMP SHAPE | | T3 | | |
| LAMP INCLUDED? | | Y | | |
| WARRANTY** | | 5 Years | | |

*Dimming information available at www.techlighting.com/Downloads#dimming

** Visit techlighting.com for specific warranty limitations and details.

T20 / T24 INFORMATION

| | Integrated LED | Replacement LED Lamp | No Lamp * |
|---|----------------|----------------------|-----------|
| This product can be used to comply with California Building Energy Efficiency Standards 2016 Title 24 Part 6. | No | | |
| This product can be used to comply with California Appliance Efficiency Standards 2016 Title 20 and may be shipped to and sold in California. | N/A | | |

* If a light fixture or component does not include a lamp or light source, it is the responsibility of the customer to select a lamp that meets the T24 and T20 requirements.

