

## PRODUCT FEATURES

- Designed for the modern minimalist, powerful integrated LED illuminates a thin vertical line of light
- 17" tall and 4.25" wide
- Available in two modern finishes, Matte Black and Chrome
- Great for bathroom, office and hallway setting
- Lamping options are compatible with most dimmers
- Protected by a 5-year warranty, please visit the "About Us" Page on [techlighting.com](http://techlighting.com) for more for warranty details

## LAMPING

120 volt 13 watt, 700.8 delivered lumens, 3000K LED module. Dimmable with most LED compatible ELV and TRIAC dimmers. 277V compatible with 0-10V dimmers. Mounts up or down



Matte Black  
Side View



Chrome



Chrome  
Side View



Matte Black



Matte Black  
Side View

## ORDERING INFORMATION

### 700WSKNW FINISH

- C CHROME
- B MATTE BLACK

### LAMP

- LED930 LED 90 CRI 3000K 120V (T20/T24)
- LED930-277 LED 90 CRI 3000K 277V (T20/T24)

700WSKNW \_\_\_\_\_

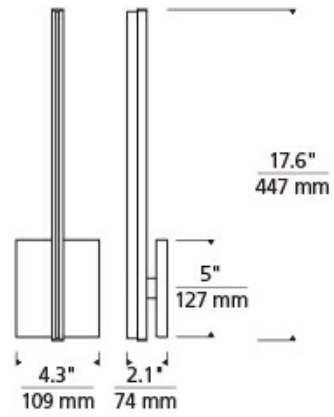
JOB NAME \_\_\_\_\_

NOTES \_\_\_\_\_



## SPECIFICATIONS

|                               |            |
|-------------------------------|------------|
| HARDWARE MATERIAL             | Metal      |
| SHADE MATERIAL                | Acrylic    |
| NET WEIGHT                    | 1.25 lbs   |
| HEIGHT                        | 17.6in     |
| WIDTH                         | 2.1in      |
| LENGTH                        | 4.3in      |
| MIN. EXTENSION FROM WALL      | 2.1in      |
| UP LIGHT / DOWN LIGHT / BOTH? |            |
| WET LISTED                    |            |
| DAMP LISTED                   | Yes        |
| DRY LISTED                    |            |
| UP / DOWN                     |            |
| HORIZONTAL / VERTICAL         |            |
| WALL / CEILING MOUNT          |            |
| GENERAL LISTING               | ETL Listed |
| ADA COMPLIANT                 |            |
| INCLUDES                      |            |



## LAMPING SPECIFICATIONS

|                       | LED LAMP | INTEGRATED LED      | NON LED | NO LAMP |
|-----------------------|----------|---------------------|---------|---------|
| DELIVERED LUMENS      |          | 700.8               |         |         |
| WATTS                 |          | 13                  |         |         |
| MAX WATTAGE PER BULB  |          | 13W                 |         |         |
| INPUT VOLTAGE         |          | 120V<br>277V        |         |         |
| DIMMING TYPE*         |          | ELV, TRIAC<br>0-10V |         |         |
| CCT                   |          | 3000K               |         |         |
| CRI                   |          | 90 CRI              |         |         |
| LED LIFETIME          |          |                     |         |         |
| L70                   |          | >50000              |         |         |
| AVERAGE BULB HOURS    |          |                     |         |         |
| FIELD SERVICEABLE LED |          |                     |         |         |
| LAMP BASE             |          | Integrated LED      |         |         |
| LAMP SHAPE            |          | Integrated LED      |         |         |
| LAMP INCLUDED?        |          | Y                   |         |         |
| WARRANTY**            |          | 5 Years             |         |         |

\* Dimming information available at [www.techlighting.com/Downloads#dimming](http://www.techlighting.com/Downloads#dimming)

\*\* Visit [techlighting.com](http://techlighting.com) for specific warranty limitations and details.

## T20 / T24 INFORMATION

|  | Integrated LED | Replacement LED Lamp | No Lamp * |
|--|----------------|----------------------|-----------|
| This product can be used to comply with California Building Energy Efficiency Standards 2016 <b>Title 24</b> Part 6.                                 | Yes            |                      |           |
| This product can be used to comply with California Appliance Efficiency Standards 2016 <b>Title 20</b> and may be shipped to and sold in California. | N/A            |                      |           |

\* If a light fixture or component does not include a lamp or light source, it is the responsibility of the customer to select a lamp that meets the T24 and T20 requirements.

