

PRODUCT FEATURES

- Multi-angle light shines through interweaving lines
- Sleek lines create a minimalist yet distinctive design
- Available in two on-trend finishes, beautiful Satin Gold and Gun Metal finish
- Fully dimmable integrated LED light source
- Ideal for dining room settings, foyers and conference rooms
- 5 year warranty with integrated LED. Visit techlighting.com for more warranty details



LAMPING

LED includes (1) 45 watt 2968.8 delivered lumens 90 CRI 3000K LED module. Dimmable with a low-voltage electronic dimmer. 120v or 277v. Includes 10 feet field-cutttable cable. Can be installed on a sloped ceiling up to 45°.

Satin Gold



Satin Gold

Gunmetal

ORDERING INFORMATION

700	SYSTEM	BLT	FINISH	LAMP
	LS LINEAR SUSPENSION		GM GUNMETAL	-LED930 INTEGRATED LED 90 CRI 3000K 120V (T24)
			G SATIN GOLD	-LED930-277 INTEGRATED LED 90 CRI 3000K 277V (T24)

700 _____ BLT _____

JOB NAME _____

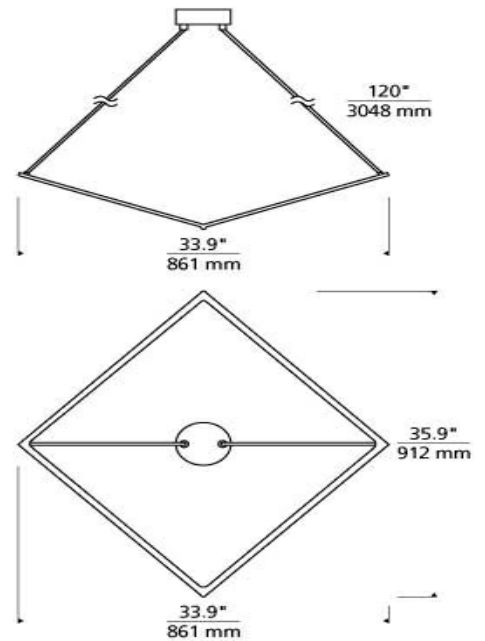
NOTES _____



BALTO LINEAR SUSPENSION

SPECIFICATIONS

HARDWARE MATERIAL	Metal
SHADE MATERIAL	Aluminum
NET WEIGHT	2 lbs
HEIGHT	6.76in
WIDTH	35.86in
LENGTH	33.9in
UP LIGHT / DOWN LIGHT / BOTH?	
WET LISTED	
DAMP LISTED	Yes
DRY LISTED	
MIN. HANGING HEIGHT	14.5in
MAX HANGING HEIGHT	128.5in
TOTAL CORD LENGTH	120in
TOTAL STEM LENGTH	
STEM QTY	
SLOPED CEILING ADAPTABLE?	Yes 45° Max
GENERAL LISTING	ETL Listed
INCLUDES	



LAMPING SPECIFICATIONS

	LED LAMP	INTEGRATED LED	NON LED	NO LAMP
DELIVERED LUMENS		2968.8		
WATTS		49		
MAX WATTAGE PER BULB		49W		
INPUT VOLTAGE		120V 277V		
DIMMING TYPE*		ELV, TRIAC 0-10V		
CCT		3000K		
CRI		90 CRI		
LED LIFETIME				
L70		50000		
AVERAGE BULB HOURS		50000		
FIELD SERVICEABLE LED				
LAMP BASE		Integrated LED		
LAMP SHAPE		Integrated LED		
LAMP INCLUDED?		Y		
WARRANTY**		5 Years		

* Dimming information available at www.techlighting.com/Downloads#dimming

** Visit techlighting.com for specific warranty limitations and details.

T20 / T24 INFORMATION

	Integrated LED	Replacement LED Lamp	No Lamp *
This product can be used to comply with California Building Energy Efficiency Standards 2016 Title 24 Part 6.	Yes		
This product can be used to comply with California Appliance Efficiency Standards 2016 Title 20 and may be shipped to and sold in California.	N/A		

* If a light fixture or component does not include a lamp or light source, it is the responsibility of the customer to select a lamp that meets the T24 and T20 requirements.

