



**WALL**

**GENERAL PRODUCT INFORMATION:**

This product is suitable for damp locations.

These fixtures are intended to be installed utilizing NEC compliant junction boxes.

This product can be dimmed with most ELV or TRIAC dimmers.

This product may be mounted up or down.

This instruction shows a typical installation.



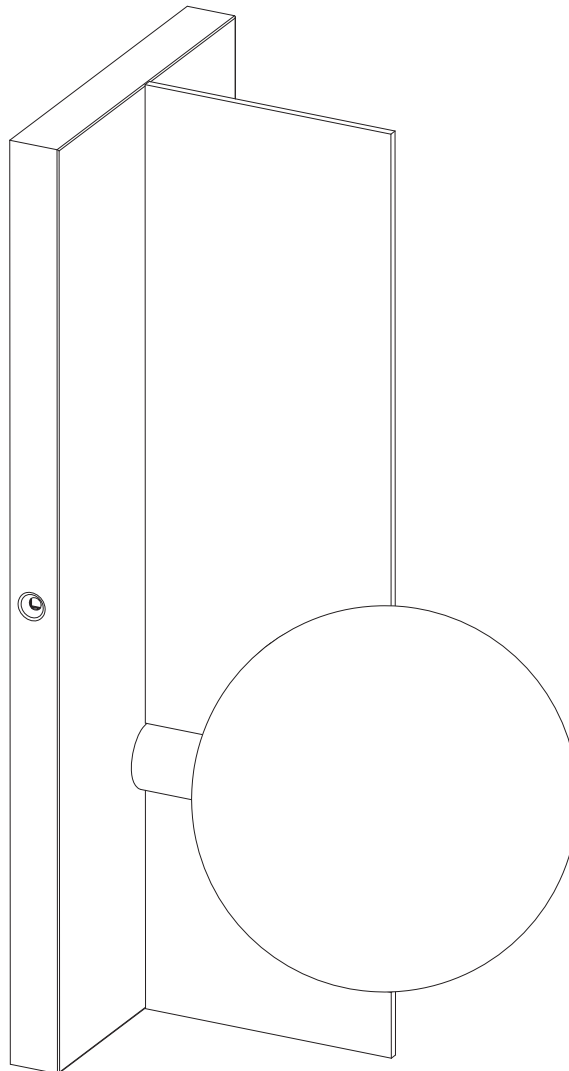
**CAUTION - RISK OF FIRE**  
This product must be installed in accordance with the applicable installation code by a person familiar with the construction and operation of the product and the hazards involved.  
Use minimum 90°C supply conductors.



7400 Linder Ave, Skokie, IL 60077  
847.410.4400

[www.techlighting.com](http://www.techlighting.com)

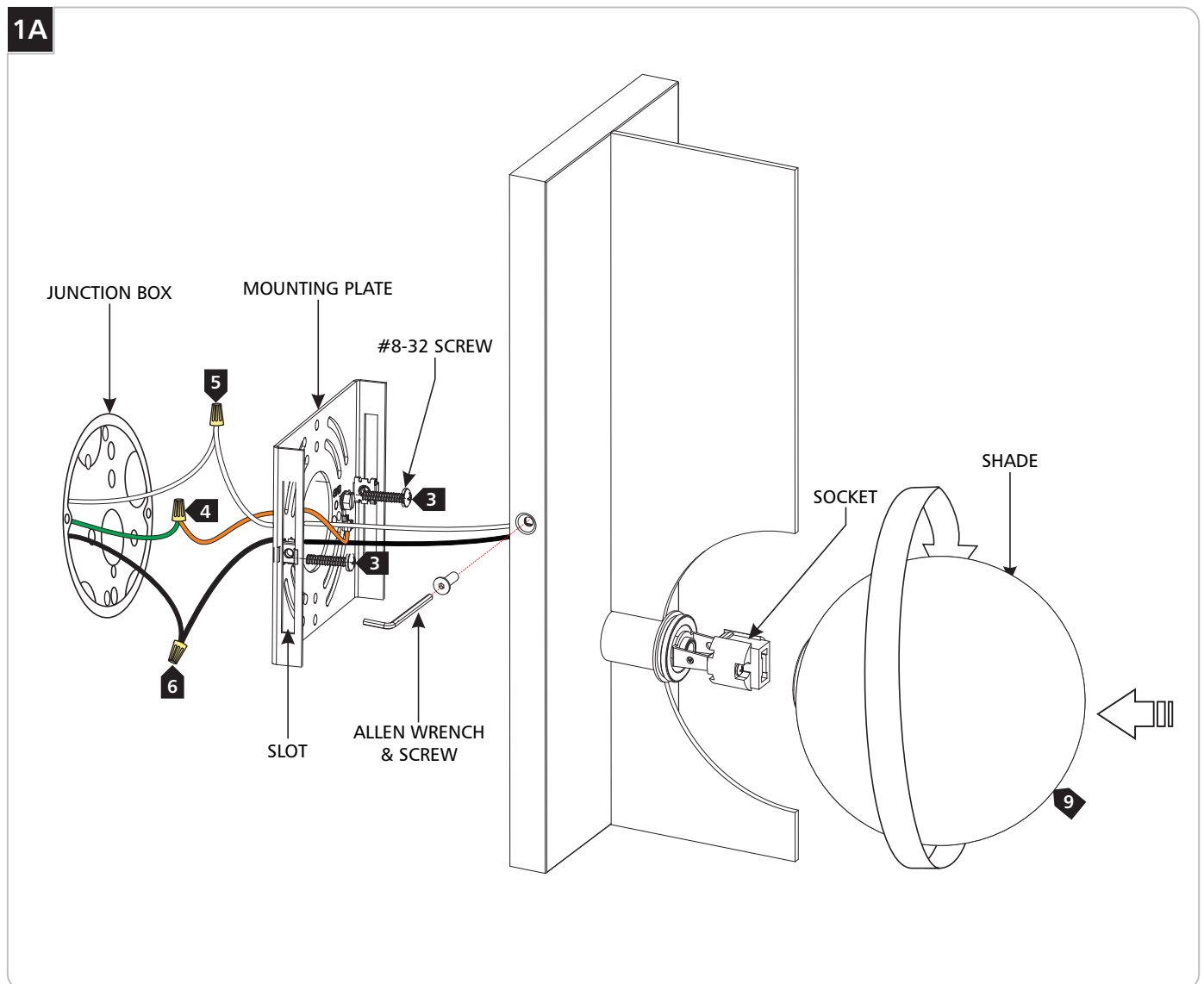
© 2019 Tech Lighting, L.L.C. All rights reserved. The "Tech Lighting" graphic is a registered trademark of Tech Lighting, L.L.C. Tech Lighting reserves the right to change specifications for product improvements without notification.  
A Generation Brands Company



**SAVE THESE INSTRUCTIONS!**

## Install the Fixture

1A



- 1 With the provided Allen wrench, remove the Allen screws both sides of the fixture base.
- 2 Remove the mounting plate from the fixture base
- 3 Install the mounting plate to the junction box with the two #8-32 screws provided.
- 4 Connect the fixture to a suitable ground in accordance with local electrical codes.
- 5 Connect the white fixture wire to the neutral power line with a wire nut.
- 6 Connect the black fixture wire to the hot power line with a wire nut.
- 7 Properly place the driver, all wires, and wire nut connections into the junction box, mount the fixture base onto the mounting plate, and secure it in place by reinstalling the Allen screws using the provided Allen wrench.

**CAUTION:** To reduce the risk of a burn or electric shock during re-lamping, disconnect the power to the fixture.

- 8 Install the lamp by pushing it into the socket. Refer to the label on the socket for Max Wattage information.
- 9 Screw the shade onto the threads on the socket. **Make sure the shade is installed correctly before releasing. Do not over tighten.**
- 10 **Optional:** This fixture features a slotted mounting plate for easy height adjustment. Adjust the height position of the fixture by carefully sliding it up or down as necessary.