

# CALUMN PENDANT

## PRODUCT FEATURES

- Inspired by the cascading chandelier, the elongated pendant is framed by a metal arch suspended at the center of the shade
- Available in two modern finishes, Nightshade Black and Natural Brass that will patina over time
- Designed 26 inches high and 7 inches wide
- Dimmable with most LED compatible ELV and TRIAC dimmers
- Includes (2) 6" and (4) 12" rigid stems in coordinating finish
- Protected by a 5-year warranty. Please visit the "About Us" Page on [techlighting.com](http://techlighting.com) for more for warranty details



Nightshade Black



Nightshade Black

Natural Brass

## LAMPING

Includes 12.4 watts, 946 total delivered lumens, 3000K LED module. Dimmable with most LED compatible ELV and TRIAC dimmers. Includes (4) 12" and (2) 6" rigid stems in coordinating finish. Cannot be installed on a sloped ceiling.

## ORDERING INFORMATION

700	SYSTEM	CLM	FINISH	LAMP
	TD LINE-VOLTAGE PENDANTS/SUSPENSION		NB NATURAL BRASS B NIGHTSHADE BLACK	-LED930 INTEGRATED LED 90 CRI 3000K 120V

This product can mount to either a 4" square electrical box with round plaster ring or an octagon electrical box.

700 \_\_\_\_\_ CLM \_\_\_\_\_

JOB NAME \_\_\_\_\_

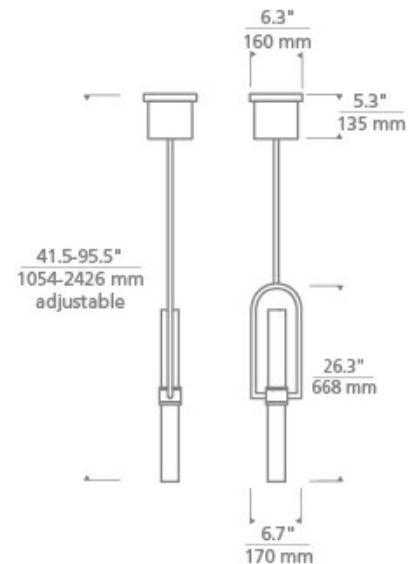
NOTES \_\_\_\_\_



# CALUMN PENDANT

## SPECIFICATIONS

HARDWARE MATERIAL	Metal
SHADE MATERIAL	Glass
NET WEIGHT	8 lbs
HEIGHT	26.3in
WIDTH	2.75in
LENGTH	6.7in
UP LIGHT / DOWN LIGHT / BOTH?	
WET LISTED	
DAMP LISTED	Yes
DRY LISTED	
MIN. HANGING HEIGHT	41.5in
MAX HANGING HEIGHT	95.5in
TOTAL CORD LENGTH	
TOTAL STEM LENGTH	Up to 60in
STEM QTY	6
SLOPED CEILING ADAPTABLE?	No
GENERAL LISTING	ETL Listed
INCLUDES	



## LAMPING SPECIFICATIONS

	LED LAMP	INTEGRATED LED	NON LED	NO LAMP
DELIVERED LUMENS		946		
WATTS		12.4		
MAX WATTAGE PER BULB		12.4W		
INPUT VOLTAGE		120V		
DIMMING TYPE*		ELV, TRIAC		
CCT		3000K		
CRI		90 CRI		
LED LIFETIME				
L70		>50000		
AVERAGE BULB HOURS				
FIELD SERVICEABLE LED				
LAMP BASE		Integrated LED		
LAMP SHAPE		Integrated LED		
LAMP INCLUDED?		Y		
WARRANTY**		5 Years		

\* Dimming information available at [www.techlighting.com/Downloads#dimming](http://www.techlighting.com/Downloads#dimming)

\*\* Visit [techlighting.com](http://techlighting.com) for specific warranty limitations and details.

## T20 / T24 INFORMATION

	Integrated LED	Replacement LED Lamp	No Lamp *
This product can be used to comply with California Building Energy Efficiency Standards 2016 Title 24 Part 6.	Yes		
This product can be used to comply with California Appliance Efficiency Standards 2016 Title 20 and may be shipped to and sold in California.	N/A		

\* If a light fixture or component does not include a lamp or light source, it is the responsibility of the customer to select a lamp that meets the T24 and T20 requirements.

