

Kai Pendant

700TDKAI_ 1.1



GENERAL PRODUCT INFORMATION: 

This product is suitable for indoor locations.

This product can be dimmed with a standard electronic dimmer.

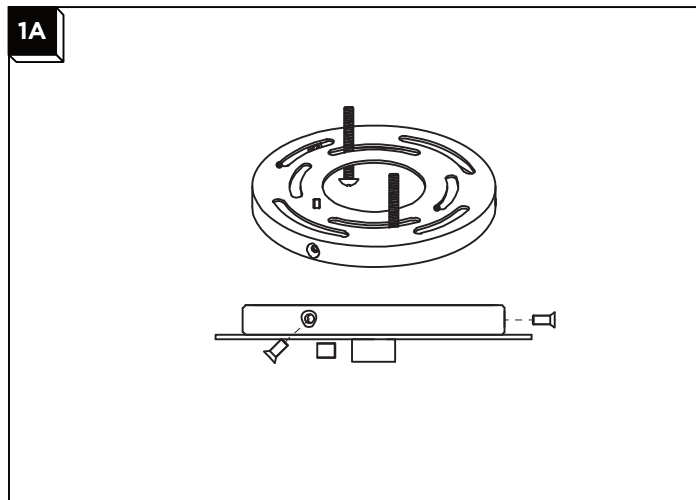
This instruction shows a typical installation.

SAVE THESE INSTRUCTIONS!

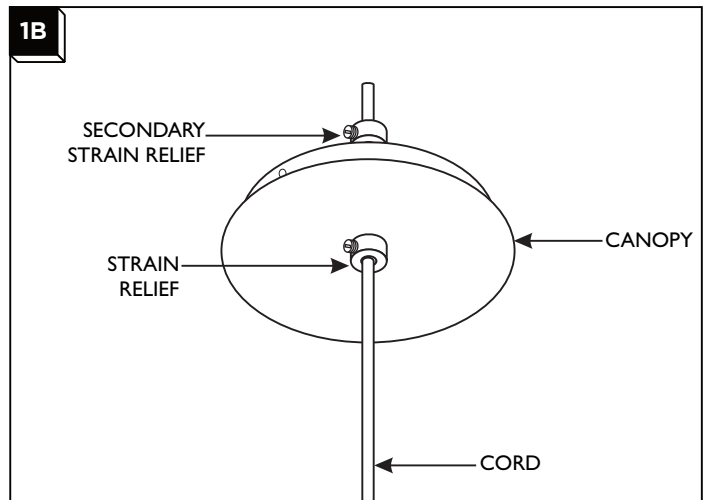


CAUTION - RISK OF FIRE
 This product must be installed in accordance with the applicable installation code by a person familiar with the construction and operation of the product and the hazards involved.
Use minimum 90°C supply conductors.

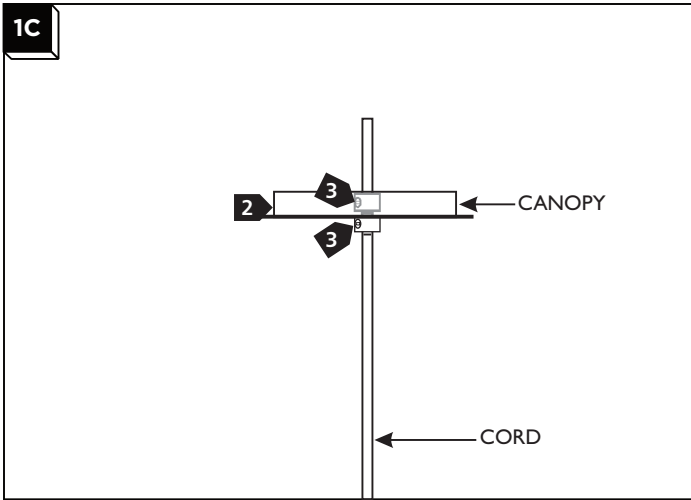
Adjust the pendant



1 Remove the set screws from the canopy, then remove the mounting plate.

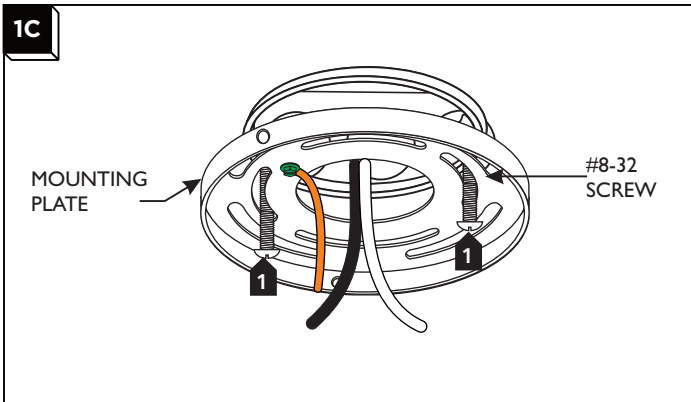


2 Feed the cord through the strain relief, canopy and secondary strain relief.

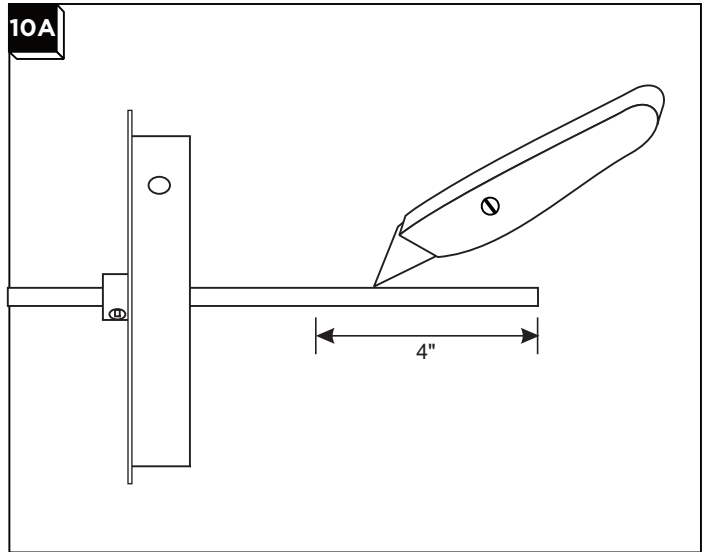


- 1 Adjust the fixture height (from bottom of the fixture shade to top of the canopy) by moving the canopy and strain reliefs up or down.
- 2 When the desired height is achieved, tighten the set screw on the strain relief and secondary strain relief.

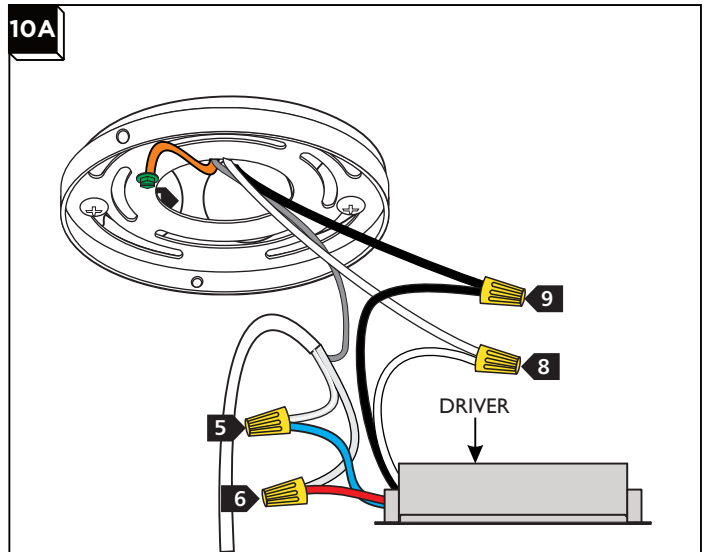
Install the Canopy



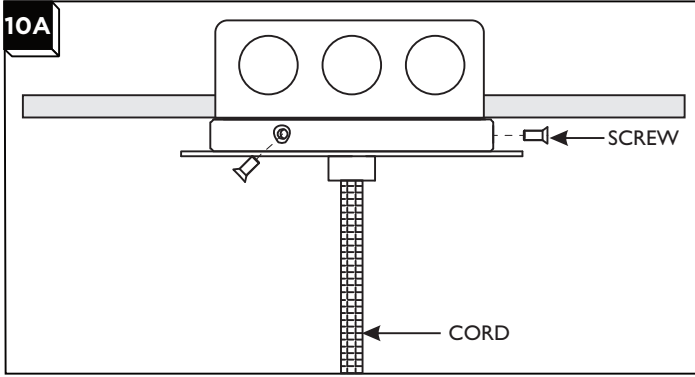
- 1 Mount the mounting plate to the electrical box with the two provided #8-32 screws.



- 4 Leave 6" of the cord behind the canopy for power connections. Cut the excess cord.
- 4 From the end of the cord, strip the insulation 4" using a sharp knife. Make sure not to nick the inner wires.
- 4 Strip the end of the wires.



- 4 Connect the negative (blue) driver wire to the pendant wire with white tracer with a wire nut.
- 4 Connect the positive (red) driver wire to the remaining pendant wire with a wire nut.
- 4 Connect the fixture and the crossbar ground wire to a suitable ground in accordance with local electrical codes.
- 4 Connect the white driver wire to the neutral power line wire with a wire nut.
- 4 Connect the black driver wire to the hot power line wire with a wire nut.



- 4 Place all wires, wire nut connections, driver properly inside the junction box.

Lift the canopy up against the ceiling and secure it in place by tightening the screws.

Notes:



7400 Linder Ave., Skokie, IL 60077

T 847.410.4400 | F 847.410.4500

www.techlighting.com