

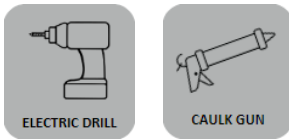
ASPEN 48 OUTDOOR WALL SCONCE

SLOWS301

General Product Information



Tools Required



Safety Information

SAVE THESE INSTRUCTIONS!

CAUTION-RISK OF FIRE

This product must be installed in accordance with the applicable installation code by a person familiar with the construction and operation of the product and the hazards involved.

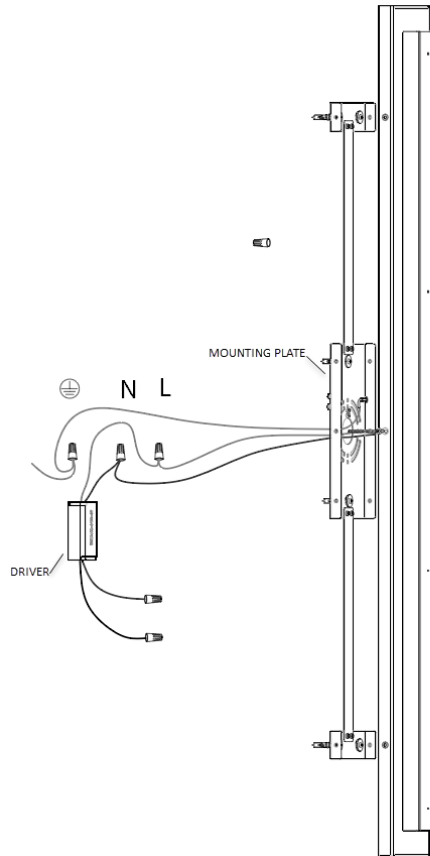
USE MINIMUM 90°C SUPPLY CONDUCTORS.



Turn off electrical current at the source before working with any lighting fixture or portable lamp.

Install and use this product in adherence with local electrical codes and regulations.





INSTRUCTIONS

I. Preparing the Fixture

1. Separate the mounting plate from the fixture body by removing the set screws with the provided Allen wrench.
2. Mark the anchor locations through the holes on the mounting plate.
3. Remove the mounting plate.
4. Drill appropriately sized holes at the marked locations and install the anchors.
5. Secure the mounting plate to the junction box and screw the anchor screws into the anchors.

II. Wiring the Fixture

1. Connect the fixture to a suitable ground in accordance with local electrical codes.
2. Connect the following wires using a wire nut:
 - a) Negative (-) fixture wire to negative (-) driver output wire
 - b) Positive (+) fixture wire to positive (+) driver output wire
 - c) Fixture neutral (white) driver wire to supply neutral wire
 - d) Fixture hot (black) driver wire to supply hot wire

Note/Caution: Use the gray and purple dimming wires for 0-10v dimming application only (cap these wires off, if not in use).

3. Carefully place the driver and all the wires and wire nut connections into the junction box.

III. Installing the Fixture

1. Mount the fixture onto the mounting plate and secure it in place by tightening the set screws using the Allen wrench.
2. For wet locations, caulk around the base of the fixture with waterproof construction sealant.