

CYMBAL LARGE PENDANT

VISUAL COMFORT & CO.

PRODUCT FEATURES

- From traditional to modern interiors the Cymbal family brings timeless style and materials that compliment without overpowering.
- The armatures play the structural role in the system, giving Cymbal an architectural grounded character while providing a conduit for the completely hidden LED sources.
- This item is made of natural brass. It is a living finish that will patina and warm with age which adds richness. If it gets an uneven patina or spots, a brass cleaner can restore the finish
- Fully dimmable integrated LED lamp
- Modern finishes available

LAMPING

Includes 1.8 watt, 471 total delivered lumens, 90 CRI 2700K LED modules. Dimmable with most LED compatible ELV, TRIAC and 0-10V dimmers. Ships with 4-12" and 2-6" rigid stems. 120V-277V. Sloped ceiling compatible 45°.



Dark Bronze/Natural Brass



Dark
Bronze/Natural
Brass

Natural
Brass/Natural Brass

ORDERING INFORMATION

PBPD350	COLOR TEMP	FINISH
	27 2700K	BZ/NB DARK BRONZE/NATURAL BRASS NB/BZ NATURAL BRASS

PBPD350 _____

JOB NAME _____

NOTES _____

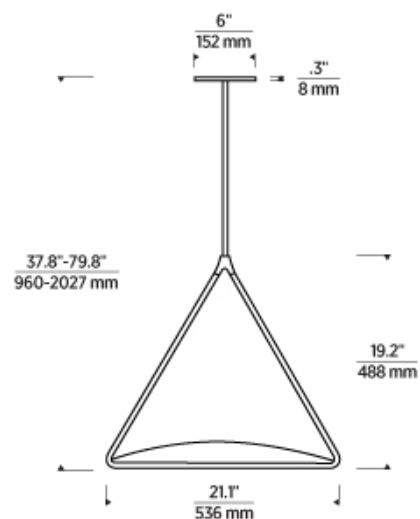


CYMBAL LARGE PENDANT

VISUAL COMFORT & Co.

SPECIFICATIONS

PRIMARY MATERIAL	Brass
SHADE MATERIAL	Brass
NET WEIGHT	12.5 lbs
HEIGHT	19.2in
WIDTH	19.8in
LENGTH	21.1in
WET LISTED	
DAMP LISTED	
DRY LISTED	
GENERAL LISTING	ETL Listed
INCLUDES	



LAMPING SPECIFICATIONS

	LED LAMP	INTEGRATED LED	NON LED	NO LAMP
DELIVERED LUMENS		471		
WATTS		1.8		
MAX WATTAGE PER BULB		1.8W		
		Universal 120V-277V 0-10, ELV, TRIAC		
CCT		2700K		
CRI		90 CRI		
LED LIFETIME				
L70		>50000		
AVERAGE BULB HOURS				
FIELD SERVICEABLE LED				
LAMP BASE		Integrated LED		
LAMP SHAPE		Integrated LED		
LAMP INCLUDED?		True		
WARRANTY**		5 Years		

* Dimming information available at www.techlighting.com/Downloads#dimming

** Visit techlighting.com for specific warranty limitations and details.

T20 / T24 / JA8 INFORMATION

	Integrated LED	Replacement LED Lamp	No Lamp *
This product can be used to comply with California Building Energy Efficiency Standards 2016 Title 24 Part 6 / JA8.	Yes		
This product can be used to comply with California Appliance Efficiency Standards 2016 Title 20 and may be shipped to and sold in California.			

* If a light fixture or component does not include a lamp or light source, it is the responsibility of the customer to select a lamp that meets the T24 and T20 requirements.

