

## PRODUCT FEATURES

- From traditional to modern interiors the Cymbal family brings timeless style and materials that compliment without overpowering.
- The armatures play the structural role in the system, giving Cymbal an architectural grounded character while providing a conduit for the completely hidden LED sources.
- This item is made of natural brass. It is a living finish that will patina and warm with age which adds richness. If it gets an uneven patina or spots, a brass cleaner can restore the finish
- Fully dimmable integrated LED lamp
- Modern finishes available



## LAMPING

Includes 2.1 watt, 547 delivered lumens, 2700K LED module. Dimmable with most LED compatible ELV, TRIAC and 0-10V dimmers. Can be mounted vertically or horizontally. 120V-277V.

Dark Bronze/Natural Brass



Dark  
Bronze/Natural  
Brass

Natural  
Brass/Natural Brass/

## ORDERING INFORMATION

PBWS353	COLOR TEMP	FINISH
	27 2700K	BZ/NB DARK BRONZE/NATURAL BRASS NB/BZ NATURAL BRASS

PBWS353 \_\_\_\_\_

JOB NAME \_\_\_\_\_

NOTES \_\_\_\_\_

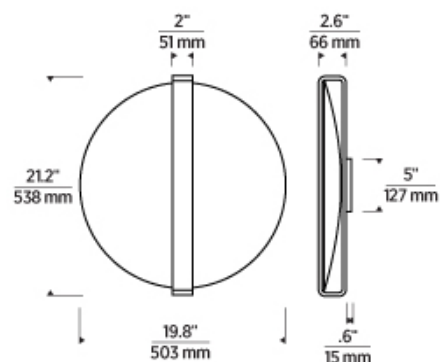


# CYMBAL LARGE SCONCE

VISUAL COMFORT & Co.

## SPECIFICATIONS

PRIMARY MATERIAL	Brass
SHADE MATERIAL	Brass
NET WEIGHT	9 lbs
HEIGHT	21.2in
WIDTH	3.2in
LENGTH	19.8in
MIN. EXTENSION FROM WALL	3.2in
UP LIGHT / DOWN LIGHT / BOTH?	
WET LISTED	
DAMP LISTED	
DRY LISTED	
UP / DOWN	
HORIZONTAL / VERTICAL	
WALL / CEILING MOUNT	
GENERAL LISTING	ETL Listed
ADA COMPLIANT	
INCLUDES	



## LAMPING SPECIFICATIONS

	LED LAMP	INTEGRATED LED	NON LED	NO LAMP
DELIVERED LUMENS		547		
WATTS		2.1		
MAX WATTAGE PER BULB		2.1W		
		Universal 120V-277V 0-10, ELV, TRIAC		
CCT		2700K		
CRI		90 CRI		
LED LIFETIME				
L70		>50000		
AVERAGE BULB HOURS				
FIELD SERVICEABLE LED				
LAMP BASE		Integrated LED		
LAMP SHAPE		Integrated LED		
LAMP INCLUDED?		True		
WARRANTY**		5 Years		

\* Dimming information available at [www.techlighting.com/Downloads#dimming](http://www.techlighting.com/Downloads#dimming)

\*\* Visit [techlighting.com](http://techlighting.com) for specific warranty limitations and details.

## T20 / T24 / JA8 INFORMATION

	Integrated LED	Replacement LED Lamp	No Lamp *
This product can be used to comply with California Building Energy Efficiency Standards 2016 Title 24 Part 6 / JA8.	Yes		
This product can be used to comply with California Appliance Efficiency Standards 2016 Title 20 and may be shipped to and sold in California.			

\* If a light fixture or component does not include a lamp or light source, it is the responsibility of the customer to select a lamp that meets the T24 and T20 requirements.

