

ALLEA PENDANT

PRODUCT FEATURES

- Contemporary design inspired by the clean lines of an industrial setting
- Spun metal surface provides a sophisticated finish
- Available in three modern finishes
- Ideal for kitchen island task lighting, home office lighting and hallway lighting
- Fully dimmable lamping options create the desired ambiance in your unique space
- Protected by a 1-year warranty if non-LED lamping option is chosen



LAMPING

Available with or without lamp. No lamp rated for E26 medium base socket 75w max. LED version includes (1) 9 watt 324 delivered lumens 90CRI 3000K LED A19. Dimmable with most LED compatible ELV and TRIAC dimmers. 120v. Includes 8' of field-cuttable cable.



ORDERING INFORMATION

700	SYSTEM	ALE	FINISH	LAMP
	TD LINE-VOLTAGE PENDANTS/SUSPENSION		BG BLACK/GOLD FG FOSSIL GRAY W MATTE WHITE	NO LAMP -LED930 A19 LED 90 CRI 2700K 120V (T20/T24)

700 _____ ALE _____

JOB NAME _____

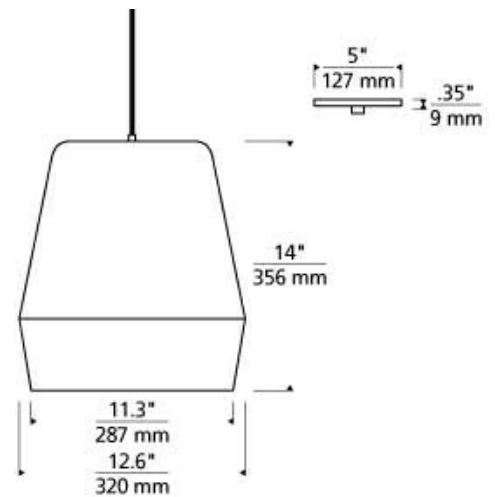
NOTES _____



ALLEA PENDANT

SPECIFICATIONS

HARDWARE MATERIAL	Metal
SHADE MATERIAL	Aluminum
NET WEIGHT	3.5 lbs
HEIGHT	14in
WIDTH	12.6in
LENGTH	12.6in
UP LIGHT / DOWN LIGHT / BOTH?	
WET LISTED	
DAMP LISTED	Yes
DRY LISTED	
MIN. HANGING HEIGHT	20.5in
MAX HANGING HEIGHT	110.5in
TOTAL CORD LENGTH	96in
TOTAL STEM LENGTH	
STEM QTY	
SLOPED CEILING ADAPTABLE?	Yes 45° Max
GENERAL LISTING	ETL Listed
INCLUDES	



LAMPING SPECIFICATIONS

	LED LAMP	INTEGRATED LED	NON LED	NO LAMP
DELIVERED LUMENS	324			
WATTS	9			
MAX WATTAGE PER BULB	75W			75W
INPUT VOLTAGE	120V			120V
DIMMING TYPE*	ELV, TRIAC			ELV, TRIAC
CCT	3000K			
CRI	90 CRI			
LED LIFETIME				
L70	25000			
AVERAGE BULB HOURS	25000			
FIELD SERVICEABLE LED				
LAMP BASE	E26 Medium Base			E26 Medium Base
LAMP SHAPE	A19			A19
LAMP INCLUDED?	Y			N
WARRANTY**	1 Year			1 Year

* Dimming information available at www.techlighting.com/Downloads#dimming

** Visit techlighting.com for specific warranty limitations and details.

T20 / T24 INFORMATION

	Integrated LED	Replacement LED Lamp	No Lamp *
This product can be used to comply with California Building Energy Efficiency Standards 2016 Title 24 Part 6.		Yes	N/A
This product can be used to comply with California Appliance Efficiency Standards 2016 Title 20 and may be shipped to and sold in California.		Yes	N/A

* If a light fixture or component does not include a lamp or light source, it is the responsibility of the customer to select a lamp that meets the T24 and T20 requirements.

