

# MODERNRAIL PENDANT

## PRODUCT FEATURES

- Elegant ModernRail style in a convenient pendant size
- Classic Aged Brass finish adds charm and style
- Customizable using frosted opal glass globes or cylinders
- Ideal for both residential and commercial application
- Fully dimmable integrated LED light source
- 1-year warranty with no lamping option. 5-year warranty with LED lamping option



Glass Cylinders

## LAMPING

Ships with (8) 24 volt, 3 watt, 44.2 total watts, 1430.3 total delivered lumens) 3000K, integrated LED modules. Dimmable with most LED compatible ELV and TRIAC dimmers. Ships with (2) 6" stems and (4) 12" stems in coordinating finish. Remote Power Supply version T24.



Glass Orbs

Glass Cylinders

## ORDERING INFORMATION

700MDP3	COLOR	FINISH	LAMP
	C GLASS CYLINDERS	R AGED BRASS	R 24V REMOTE CANOPY (T24)
	G GLASS ORBS		S 24V SURFACE CANOPY

700MDP3 \_\_\_\_\_

JOB NAME \_\_\_\_\_

NOTES \_\_\_\_\_

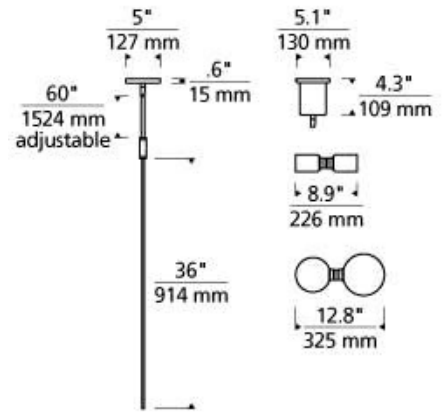
\_\_\_\_\_



# MODERNRAIL PENDANT

## SPECIFICATIONS

HARDWARE MATERIAL	Metal
SHADE MATERIAL	Glass
NET WEIGHT	5.5 lbs
HEIGHT	36in
WIDTH	8.9in
LENGTH	8.9in
UP LIGHT / DOWN LIGHT / BOTH?	
WET LISTED	
DAMP LISTED	Yes
DRY LISTED	
MIN. HANGING HEIGHT	42in
MAX HANGING HEIGHT	96in
TOTAL CORD LENGTH	
TOTAL STEM LENGTH	Up to 60in
STEM QTY	6
SLOPED CEILING ADAPTABLE?	Yes 35° Max
GENERAL LISTING	ETL Listed
INCLUDES	



## LAMPING SPECIFICATIONS

	LED LAMP	INTEGRATED LED	NON LED	NO LAMP
DELIVERED LUMENS		1430.3		
WATTS		44.2		
MAX WATTAGE PER BULB		44.2W		
INPUT VOLTAGE		120V		
DIMMING TYPE*		ELV, TRIAC		
CCT		3000K		
CRI		90 CRI		
LED LIFETIME				
L70		>50000		
AVERAGE BULB HOURS				
FIELD SERVICEABLE LED				
LAMP BASE		Integrated LED		
LAMP SHAPE		Integrated LED		
LAMP INCLUDED?		Y		
WARRANTY**		5 Years		

\*Dimming information available at [www.techlighting.com/Downloads#dimming](http://www.techlighting.com/Downloads#dimming)  
 \*\* Visit [techlighting.com](http://techlighting.com) for specific warranty limitations and details.

## T20 / T24 INFORMATION

	Integrated LED	Replacement LED Lamp	No Lamp *
This product can be used to comply with California Building Energy Efficiency Standards 2016 <b>Title 24</b> Part 6.	Yes		
This product can be used to comply with California Appliance Efficiency Standards 2016 <b>Title 20</b> and may be shipped to and sold in California.	N/A		

\* If a light fixture or component does not include a lamp or light source, it is the responsibility of the customer to select a lamp that meets the T24 and T20 requirements.

