

SARA GRANDE PENDANT

PRODUCT FEATURES

- Elegant design style made of pure crystal
- Hand-blown glass diffuser
- Available in Clear glass with Satin Nickel hardware
- Fully dimmable to create the desired ambiance in your special space
- Protected by a 1-year warranty



Clear



Clear

LAMPING

Rated for (1) 60 watt max, E26 medium based lamp (Lamp Not Included). LED includes 120 volt 6.5 watt, 810 delivered lumen, 2700K, medium base LED BT15 lamp. Fixture is provided with six feet of field-cutttable cable. Dimmable with most LED compatible ELV and TRIAC dimmers.

ORDERING INFORMATION

700	SYSTEM	SARGP	COLOR	FINISH	LAMP
	TD LINE-VOLTAGE PENDANTS/SUSPENSION		C CLEAR	S SATIN NICKEL	NO LAMP -LED827 BT15 LED 80 CRI 2700K 120V

700 _____ SARGP _____

JOB NAME _____

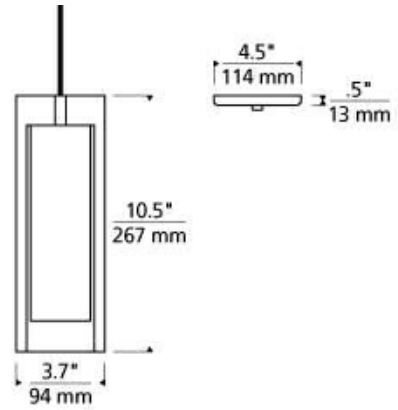
NOTES _____



SARA GRANDE PENDANT

SPECIFICATIONS

HARDWARE MATERIAL	Metal
SHADE MATERIAL	
NET WEIGHT	5.5 lbs
HEIGHT	10.5in
WIDTH	3.7in
LENGTH	3.7in
UP LIGHT / DOWN LIGHT / BOTH?	
WET LISTED	
DAMP LISTED	Yes
DRY LISTED	
MIN. HANGING HEIGHT	17in
MAX HANGING HEIGHT	83in
TOTAL CORD LENGTH	72in
TOTAL STEM LENGTH	
STEM QTY	
SLOPED CEILING ADAPTABLE?	Yes 45° Max
GENERAL LISTING	ETL Listed
INCLUDES	



LAMPING SPECIFICATIONS

	LED LAMP	INTEGRATED LED	NON LED	NO LAMP
DELIVERED LUMENS	810			
WATTS	6.5			
MAX WATTAGE PER BULB	60W			60W
INPUT VOLTAGE	120V			120V
DIMMING TYPE*	ELV, TRIAC			ELV, TRIAC
CCT	2700K			
CRI	80 CRI			
LED LIFETIME				
L70	25000			
AVERAGE BULB HOURS	25000			
FIELD SERVICEABLE LED				
LAMP BASE	E26 Medium Base			E26 Medium Base
LAMP SHAPE	T6			T6
LAMP INCLUDED?	Y			N
WARRANTY**	1 Year			1 Year

* Dimming information available at www.techlighting.com/Downloads#dimming

** Visit techlighting.com for specific warranty limitations and details.

T20 / T24 INFORMATION

	Integrated LED	Replacement LED Lamp	No Lamp *
This product can be used to comply with California Building Energy Efficiency Standards 2016 Title 24 Part 6.		No	N/A
This product can be used to comply with California Appliance Efficiency Standards 2016 Title 20 and may be shipped to and sold in California.		No	N/A

* If a light fixture or component does not include a lamp or light source, it is the responsibility of the customer to select a lamp that meets the T24 and T20 requirements.

