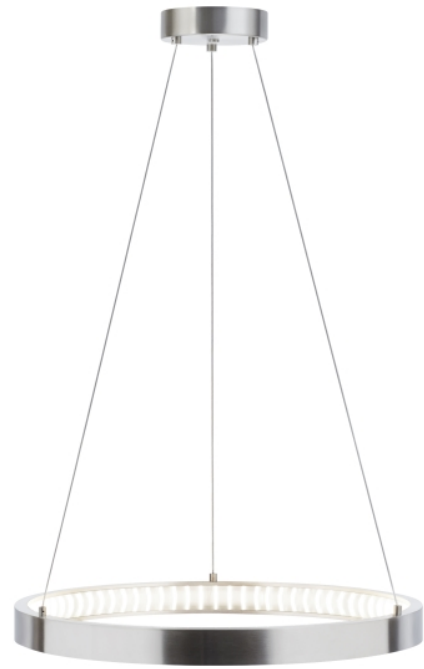


BODIAM 24 SUSPENSION

PRODUCT FEATURES

- Inspired by large medieval cast iron chandeliers
- 24" and 30" available in aged brass, satin nickel, and antique bronze. 48" diameter available in antique bronze and satin nickel
- Features a thick outer metal ring that houses dual stacked rows of inward firing LEDs
- Fixture provided with twelve feet of field-cutable cable to match finish selection
- Fully dimmable integrated LED lamping option creates the desired ambiance
- Protected by a 5-year warranty



Satin Nickel

LAMPING

Includes 16.3 watt, 1036.7 delivered lumens, 3000K LED module. Dimmable with most LED compatible ELV and TRIAC dimmers. Fixture provided with twelve feet of field-cutable cable to match finish selection.



Antique Bronze

Satin Nickel

ORDERING INFORMATION

700BOD	SHAPE OR SIZE	FINISH	LAMP
	24 24" DIAMETER	Z ANTIQUE BRONZE S SATIN NICKEL	-LED930 INTEGRATED LED 90 CRI 3000K 120V (T24)

700BOD _____

JOB NAME _____

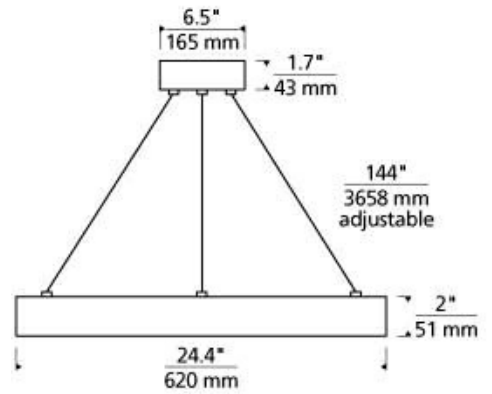
NOTES _____



BODIAM 24 SUSPENSION

SPECIFICATIONS

HARDWARE MATERIAL	Metal
SHADE MATERIAL	Aluminum
NET WEIGHT	8 lbs
HEIGHT	2in
WIDTH	24.4in
LENGTH	24.4in
UP LIGHT / DOWN LIGHT / BOTH?	
WET LISTED	
DAMP LISTED	Yes
DRY LISTED	
MIN. HANGING HEIGHT	15.7in
MAX HANGING HEIGHT	147.7in
TOTAL CORD LENGTH	144in
TOTAL STEM LENGTH	
STEM QTY	
SLOPED CEILING ADAPTABLE?	Yes 45° Max
GENERAL LISTING	ETL Listed
INCLUDES	



LAMPING SPECIFICATIONS

	LED LAMP	INTEGRATED LED	NON LED	NO LAMP
DELIVERED LUMENS		1036.7		
WATTS		16.3		
MAX WATTAGE PER BULB		16.3W		
INPUT VOLTAGE		120V		
DIMMING TYPE*		ELV, TRIAC		
CCT		3000K		
CRI		90 CRI		
LED LIFETIME				
L70		>50000		
AVERAGE BULB HOURS				
FIELD SERVICEABLE LED				
LAMP BASE		Integrated LED		
LAMP SHAPE		Integrated LED		
LAMP INCLUDED?		Y		
WARRANTY**		5 Years		

*Dimming information available at www.techlighting.com/Downloads#dimming

** Visit techlighting.com for specific warranty limitations and details.

T20 / T24 INFORMATION

	Integrated LED	Replacement LED Lamp	No Lamp *
This product can be used to comply with California Building Energy Efficiency Standards 2016 Title 24 Part 6.	Yes		
This product can be used to comply with California Appliance Efficiency Standards 2016 Title 20 and may be shipped to and sold in California.	N/A		

* If a light fixture or component does not include a lamp or light source, it is the responsibility of the customer to select a lamp that meets the T24 and T20 requirements.

