

Klee 18 Table and 43 Floor Lamp

700PRTKLE18, 700PRTKLE43

1.0



PORTABLE

GENERAL PRODUCT INFORMATION:

This product is suitable for dry locations only.

This instruction shows a typical installation.



IMPORTANT SAFETY INSTRUCTIONS

This portable lamp has a polarized plug (one blade is wider than the other) as a safety feature to reduce the risk of electric shock. This plug will fit in a polarized outlet only one way. If the plug does not fit fully in the outlet, reverse the plug. If it still does not fit contact a qualified electrician. Never use with an extension cord unless plug can be fully inserted. Do not attempt to defeat this safety feature.



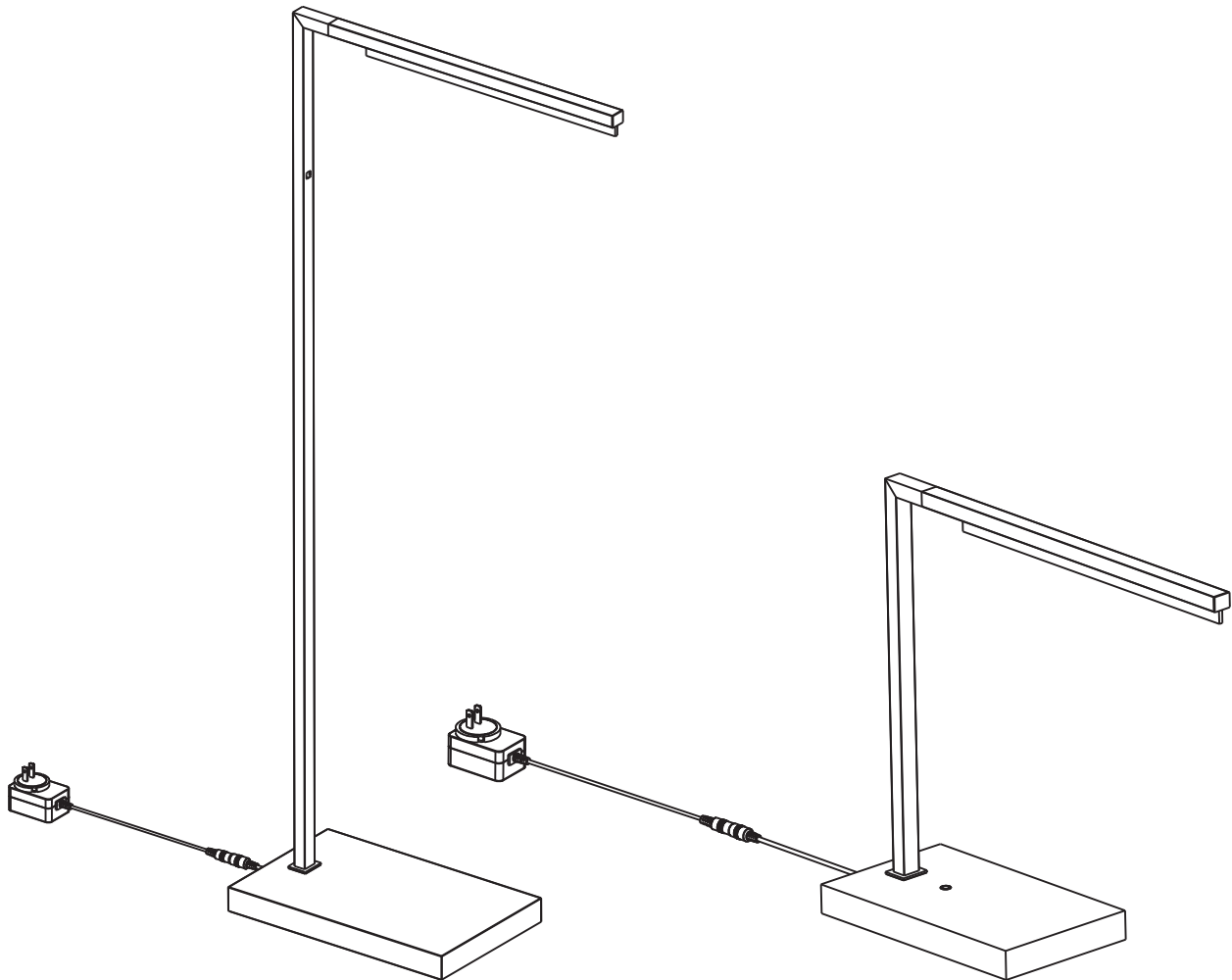
7400 Linder Ave, Skokie, IL 60077

847.410.4400

www.techlighting.com

© 2020 Tech Lighting, L.L.C. All rights reserved.

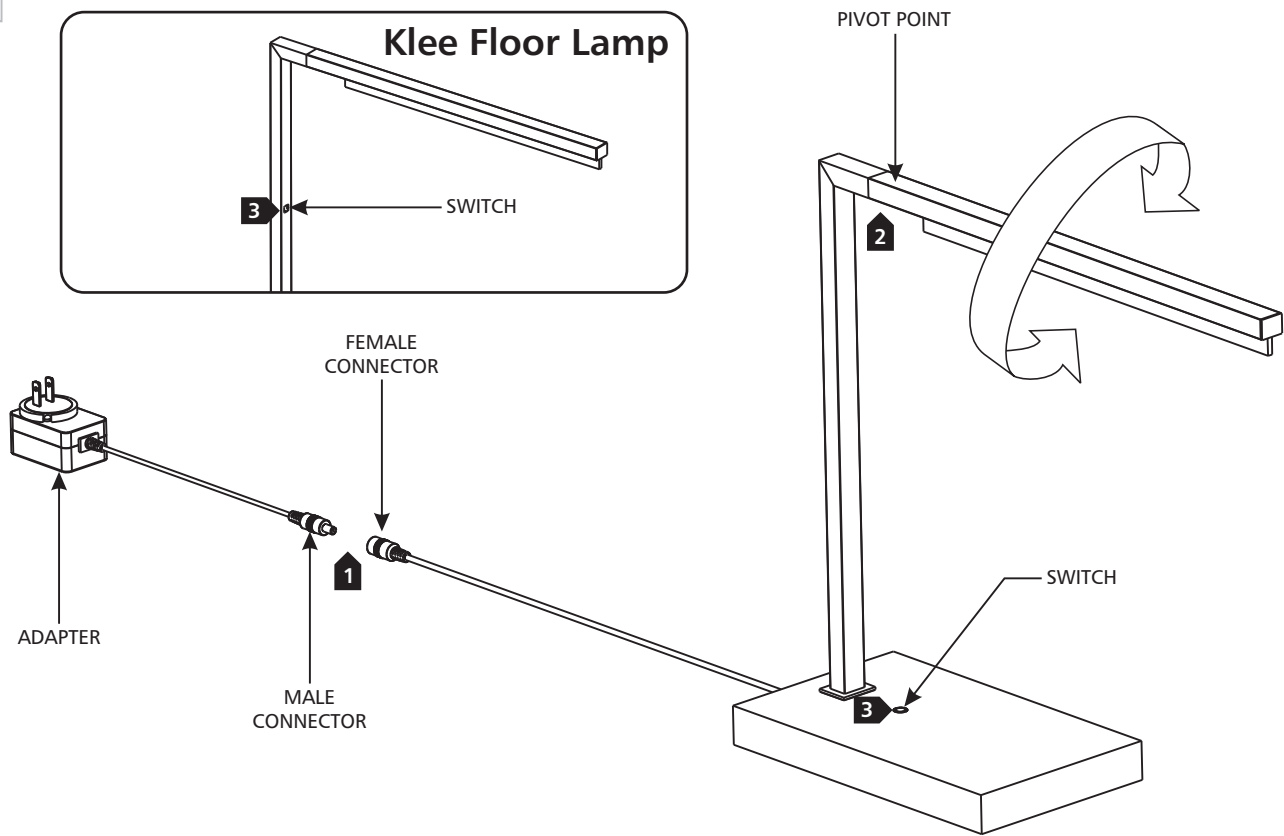
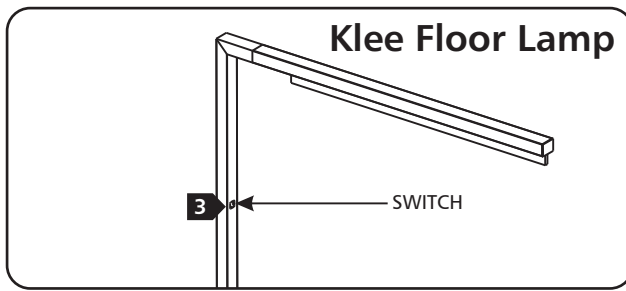
Visual Comfort Group



SAVE THESE INSTRUCTIONS!

Install the Fixture

1A



- 1 Connect the male connector from the adapter to the female adapter on the fixture.
- 2 **Optional:** The direction of the light can be adjusted by carefully grabbing where indicated and turning to the desired direction.
- 3 Use the switch to turn the fixture on/off and to change dimming levels by tapping on the touch sensitive switch.
NOTE: For Klee Floor Lamp, the switch is located on the lamp body.