

PRODUCT FEATURES

- Designed with a single blade of LED light shaped by an elegant glass-acrylic cylinder
- Available in three finishes, Nightshade Black, Polished Nickel and Natural Brass that will patina over time.
- Coordinate with the entire Linger family, including additional chandelier options and wall sconces
- Mounts up or down
- Lamping options are compatible with most dimmers
- Protected by a 5-year warranty. please visit the "About Us" Page on techlighting.com for more for warranty details



Natural Brass 3/4 view

LAMPING

Includes 120 volt 8.3 watt, 553 delivered lumens, 3000K LED module. Dimmable with most LED compatible ELV and TRIAC dimmers. 277V compatible with 0-10V dimmers. Mounts up or down. ADA compliant.



Natural Brass 3/4 view



Polished Nickel 3/4 view



Nightshade Black 3/4 view



Polished Nickel view

To view all available finish options, please visit techlighting.com

ORDERING INFORMATION

700WSLNG	SHAPE OR SIZE	FINISH	LAMP
	11 LIGHT	NB NATURAL BRASS	-LED930 INTEGRATED LED 90 CRI 3000K 120V
		B NIGHTSHADE BLACK	-LED930 INTEGRATED LED 90 CRI 3000K 120V (T24)
		N POLISHED NICKEL	-LED930-277 INTEGRATED LED 90 CRI 3000K 277V

700WSLNG _____

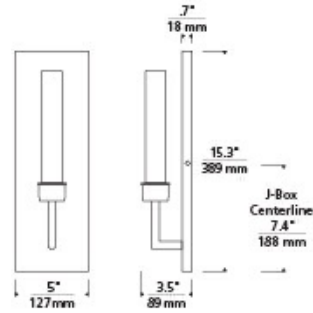
JOB NAME _____

NOTES _____



SPECIFICATIONS

HARDWARE MATERIAL	Metal
SHADE MATERIAL	Glass
NET WEIGHT	2.5 lbs
HEIGHT	15.3in
WIDTH	3.5in
LENGTH	5in
MIN. EXTENSION FROM WALL	3.5in
UP LIGHT / DOWN LIGHT / BOTH?	
WET LISTED	
DAMP LISTED	Yes
DRY LISTED	
UP / DOWN	
HORIZONTAL / VERTICAL	
WALL / CEILING MOUNT	
GENERAL LISTING	ETL Listed
ADA COMPLIANT	
INCLUDES	



LAMPING SPECIFICATIONS

	LED LAMP	INTEGRATED LED	NON LED	NO LAMP
DELIVERED LUMENS		553		
WATTS		8.3		
MAX WATTAGE PER BULB		8.3W		
INPUT VOLTAGE		120V 277V		
DIMMING TYPE*		ELV, TRIAC 0-10V		
CCT		3000K		
CRI		90 CRI		
LED LIFETIME				
L70		>50000		
AVERAGE BULB HOURS				
FIELD SERVICEABLE LED				
LAMP BASE		Integrated LED		
LAMP SHAPE		Integrated LED		
LAMP INCLUDED?		Y		
WARRANTY**		5 Years		

* Dimming information available at www.techlighting.com/Downloads#dimming

** Visit techlighting.com for specific warranty limitations and details.

T20 / T24 INFORMATION

	Integrated LED	Replacement LED Lamp	No Lamp *
This product can be used to comply with California Building Energy Efficiency Standards 2016 Title 24 Part 6.	Yes		
This product can be used to comply with California Appliance Efficiency Standards 2016 Title 20 and may be shipped to and sold in California.	N/A		

* If a light fixture or component does not include a lamp or light source, it is the responsibility of the customer to select a lamp that meets the T24 and T20 requirements.

