

SEDONA PENDANT

PRODUCT FEATURES

- Add a touch of elegant contemporary style to your space with this beautiful pendant light
- Small scale perfect for creating custom chandeliers popular in today's interior design trends
- Complementary chandelier and wall sconce light also available from Tech Lighting
- Fully dimmable warm LED options to create the desired ambiance
- Ships with choice of LED lamp included saving you time and money
- Protected by a 1-year warranty



LAMPING

Includes 35 watt, halogen bi-pin or 6 watt, 300 delivered lumen, 3000K replaceable SORAA LED module. Fixture provided with six feet of field-cutable cable. Dimmable with low-voltage electronic or magnetic dimmer (based on transformer).

Transparent Smoke /
Satin Nickel



Clear /
Aged Brass

Transparent Smoke /
Satin Nickel

ORDERING INFORMATION

700	SYSTEM	SDN	COLOR	FINISH	LAMP
	FJ FREEJACK		C CLEAR	R AGED BRASS	12 VOLT HALOGEN (T20)
	MP MONOPOINT		K TRANSPARENT SMOKE	S SATIN NICKEL	-24 24 VOLT HALOGEN
	MO MONORAIL				-LEDS930 12 VOLT LED 90 CRI 3000K (T20/T24)
					-24 24 VOLT HALOGEN

Note: Note: MP includes 4" Round Flush Canopy.
Aged Brass finish includes satin nickel system hardware.

700 _____ SDN _____

JOB NAME _____

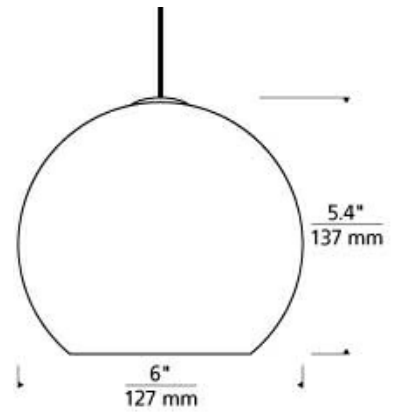
NOTES _____



SEDONA PENDANT

SPECIFICATIONS

HARDWARE MATERIAL	Metal
SHADE MATERIAL	Glass
NET WEIGHT	3 lbs
HEIGHT	5.4in
WIDTH	6in
LENGTH	6in
UP LIGHT / DOWN LIGHT / BOTH?	
WET LISTED	
DAMP LISTED	
DRY LISTED	
MIN. HANGING HEIGHT	11.9in
MAX HANGING HEIGHT	77.9in
SLOPED CEILING ADAPTABLE?	Yes 45° Max
GENERAL LISTING	ETL Listed
INCLUDES	



LAMPING SPECIFICATIONS

	LED LAMP	INTEGRATED LED	NON LED	NO LAMP
DELIVERED LUMENS				
WATTS	6		35	
MAX WATTAGE PER BULB	35W		35W	
INPUT VOLTAGE	12V 120V		12V 120V	
DIMMING TYPE*	ELV		ELV	
CCT	3000K		3000K	
CRI	90 CRI		100 CRI	
LED LIFETIME				
L70	30000		2000	
AVERAGE BULB HOURS	30000		2000	
FIELD SERVICEABLE LED				
LAMP BASE	GY 6.35		GY 6.35	
LAMP SHAPE	T4		T4	
LAMP INCLUDED?	Y		Y	
WARRANTY**	1 Year		1 Year	

* Dimming information available at www.techlighting.com/Downloads#dimming

** Visit techlighting.com for specific warranty limitations and details.

T20 / T24 INFORMATION

	Integrated LED	Replacement LED Lamp	No Lamp *
This product can be used to comply with California Building Energy Efficiency Standards 2016 Title 24 Part 6.		Yes	
This product can be used to comply with California Appliance Efficiency Standards 2016 Title 20 and may be shipped to and sold in California.		Yes	

* If a light fixture or component does not include a lamp or light source, it is the responsibility of the customer to select a lamp that meets the T24 and T20 requirements.

