

PRODUCT FEATURES

- Inspired by textiles, hand-blown glass wall sconce features linen weave design
- Recommended lamping is 1 candelabra based bulb with 25w maximum (purchased separately). or can be ordered with optional 2 watt LED T6 bulb for enhanced energy efficiency
- Fully dimmable with most dimmers to create just the right atmosphere
- Linen weave design silk screened on hand-blown glass shade, creates a textured surface through which the light softly glows
- Round backplate with satin nickel finish completes the look
- Protected by a 1-year warranty. please go to www.techlighting.com for warranty details



Linen



Linen

LAMPING

Available with or without lamp. E12 candelabra base socket 25w max. LED version includes (1) 2 watt 159.7 delivered lumens 90CRI 2700K LED T6. Dimmable with a low-voltage electronic dimmer. Can be mounted up or down. ADA compliant.

ORDERING INFORMATION

700WSVTR	COLOR	FINISH	LAMP
	LN LINEN	S SATIN NICKEL	NO LAMP
			-LED927 LED 90 CRI 2700K 120V (T20/T24)

700WSVTR _____

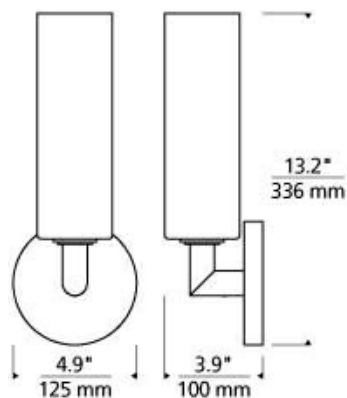
JOB NAME _____

NOTES _____



SPECIFICATIONS

HARDWARE MATERIAL	Metal
SHADE MATERIAL	Glass
NET WEIGHT	1.5 lbs
HEIGHT	13.2in
WIDTH	3.9in
LENGTH	4.9in
MIN. EXTENSION FROM WALL	3.9in
UP LIGHT / DOWN LIGHT / BOTH?	
WET LISTED	
DAMP LISTED	Yes
DRY LISTED	
UP / DOWN	
HORIZONTAL / VERTICAL	
WALL / CEILING MOUNT	
GENERAL LISTING	ETL Listed
ADA COMPLIANT	
INCLUDES	



LAMPING SPECIFICATIONS

	LED LAMP	INTEGRATED LED	NON LED	NO LAMP
DELIVERED LUMENS	159.7			
WATTS	2			
MAX WATTAGE PER BULB	25W			25W
INPUT VOLTAGE	120V			120V
DIMMING TYPE*	ELV, TRIAC			ELV, TRIAC
CCT	2700K			
CRI	90 CRI			
LED LIFETIME				
L70	25000			
AVERAGE BULB HOURS	25000			
FIELD SERVICEABLE LED				
LAMP BASE	E12 Candelabra Base			E12 Candelabra Base
LAMP SHAPE	MR16			MR16
LAMP INCLUDED?	Y			N
WARRANTY**	1 Year			1 Year

* Dimming information available at www.techlighting.com/Downloads#dimming

** Visit techlighting.com for specific warranty limitations and details.

T20 / T24 INFORMATION

	Integrated LED	Replacement LED Lamp	No Lamp *
This product can be used to comply with California Building Energy Efficiency Standards 2016 Title 24 Part 6.		Yes	N/A
This product can be used to comply with California Appliance Efficiency Standards 2016 Title 20 and may be shipped to and sold in California.		Yes	N/A

* If a light fixture or component does not include a lamp or light source, it is the responsibility of the customer to select a lamp that meets the T24 and T20 requirements.

